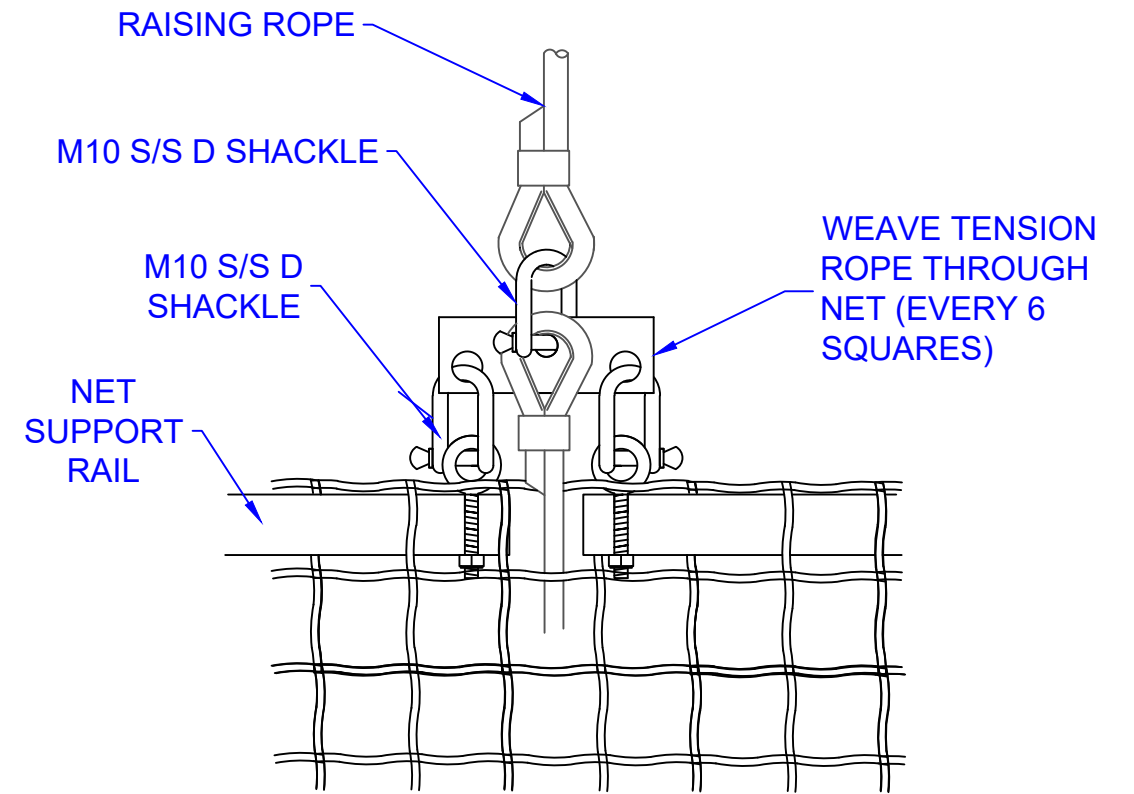
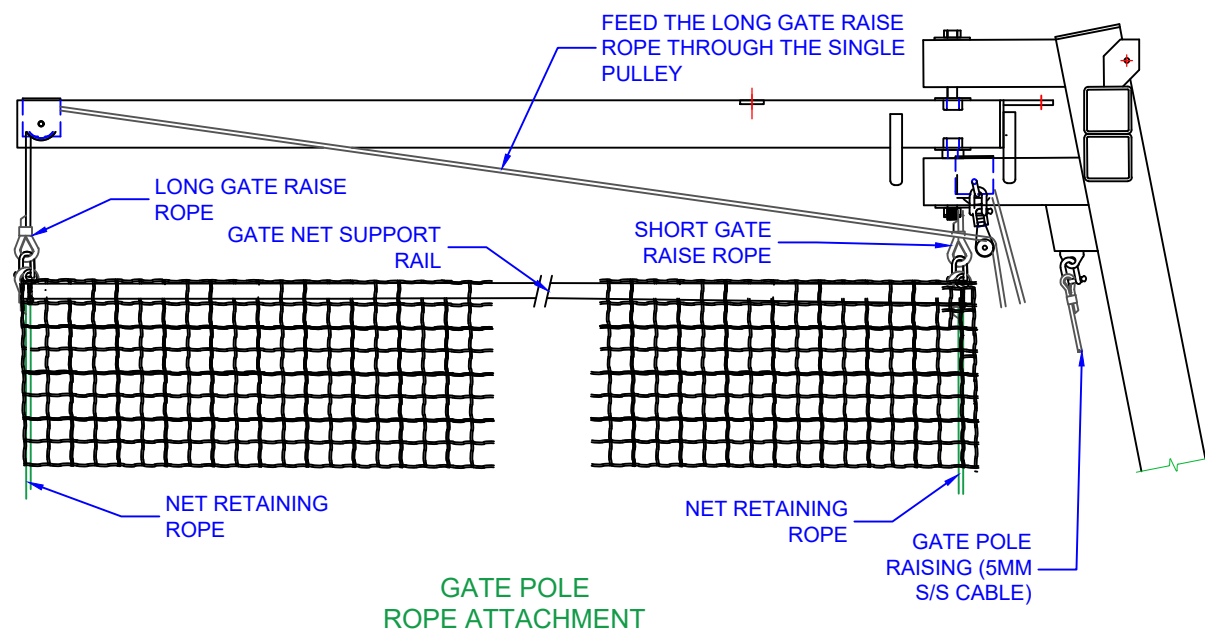
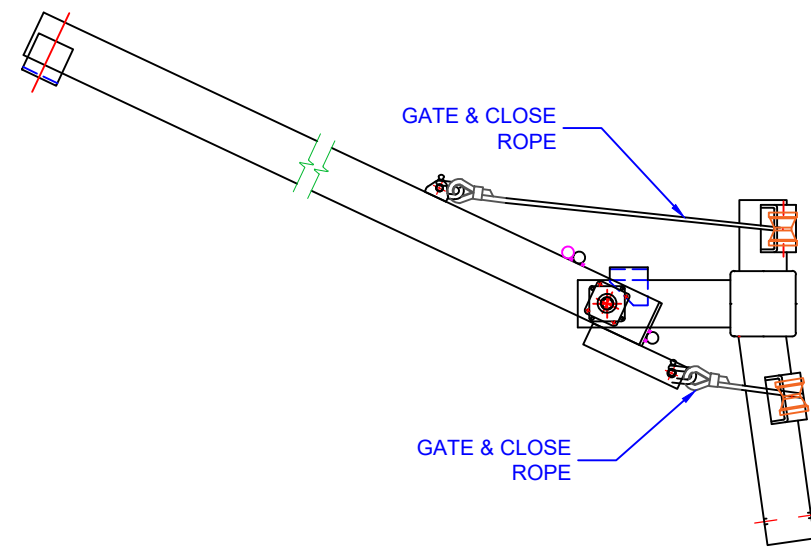


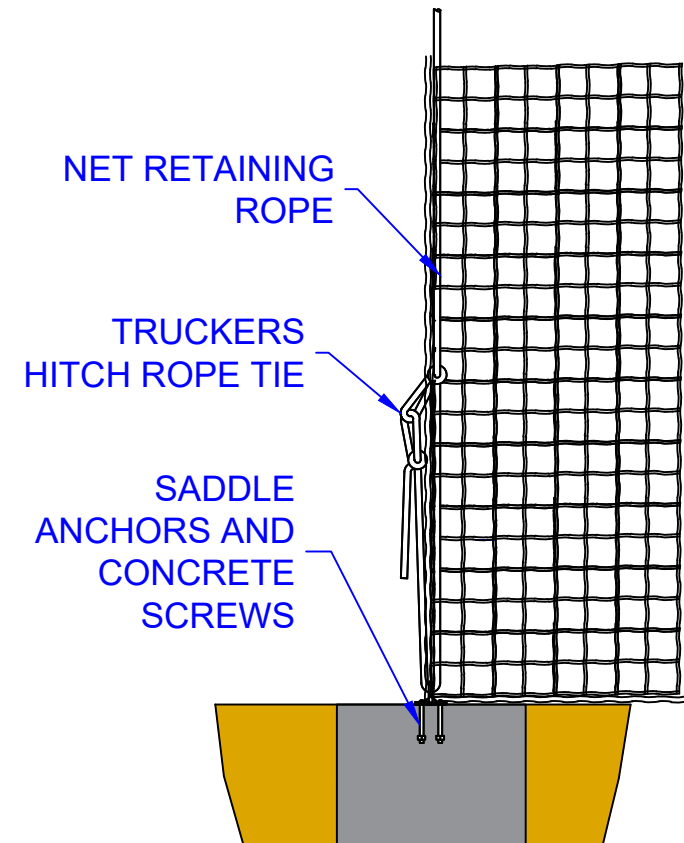
NET RAIL LOCATIONS



NET RAIL BRACKETS CONNECTION DETAILS
QTY. 6 PCS.



GATE POLE ROPE ATTACHMENT



TITLE: THOR 10 HAMMER CAGE ROPE ATTACHMENT DETAIL 2 OF 2			
DRAWING NUMBER: THOR 10	DESIGNED BY: TREVOR		
DRAWN BY: UMESH	CHECKED BY: -		
UNITS: m m.	DATE: 17/10/2024		
TOLERANCE: 0.0 ± 1.0 0.00 ± 0.5 0.000 ± 0.2	0.0° ± 1° 0.00° ± 0.5°	SCALE: 1:2	SYSTEM: A3

Oz Ring Pty Ltd
Trading as:
Play Hard Sports Equipment
ABN 79 066 094 559
24 Em Harley Drive
Burling Heads Qld 4220
Phone: (07) 5593 4494
Fax: (07) 5593 4338
Website: www.playhardsports.com.au
Email: email@playhardsports.com.au