



2/2/2025

ECLIPSE ROTATING CRICKET SIGHT SCREEN

Installation, Operation &
Maintenance Manual

PLAY HARD SPORTS EQUIPMENT

13 Alex Fisher Drive
Burleigh Heads, QLD 4220

Contents

Introduction	2
Installation Instructions	3
Assembly Instructions	4
Installation of Integrated AFL Netting System:.....	10
Operating Procedure:	13
Maintenance	Error! Bookmark not defined.
Warranty:	Error! Bookmark not defined.

Introduction

The Eclipse cricket sight screen system consists of a low-profile post and rail track system which enables users to move the screens along the track depending on the playing pitch position. In addition, the screens can be rotated to allow for white-ball and red-ball cricket games.

The system is designed to be visually unobtrusive and provides clear vision when viewing from behind the track. Screens can be removed at the end of the season which makes the system ideal for grounds catering for AFL.

The standard-length track is 28.8 meters long and can be reduced or lengthened by 2.4M sections and the standard tracks are straight but can be designed to curves with a minimum radius of 68 meters.

Rotating screen panels are 1.5m wide and standard height of 6.0 meters. Height can be varied in order from 4.5m to 6.5m.

The track has a hot dip galvanized finish and can be supplied in a variety of colors. Sheeting can also be supplied to cover the gap between the top and bottom railing. The screen housing frame is made of all-galvanized material whereas screen panels are made of aluminum.



ECLIPSE ROTATING BLACK AND WHITE SCREENS

Installation Instructions

The posts and rails are hot dip galvanized and can be supplied with a two-pack urethane topcoat in a variety of colours. The posts are then concreted into footings in the ground which are set 2.4m apart in line or curved to a minimum radius of 68 meters.

The total number of posts and rails to be installed will vary based on the length and orientation of the tracks required for the job.

The screen panels are supplied pre-assembled and require the use of a crane truck to deliver, unload and install onto the track. The screens can be placed along the track and aligned with the appropriate pitch. After erecting the required number of screens, end stops are bolted to the ends of the track to prevent the screens from running off. Wheel chocks are also provided to keep the screen in the desired position.



Fig: Eclipse Screen Loading and Offloading.

Assembly Instructions

Please follow the following instructions to unload and for the installation of the Eclipse Cricket Sight Screen System.

1. The screens are placed in a specifically designed stillage and are well-packed to be transported to the job site. Use a crane to unload the package and place it on a stable and even surface.



2. Then carefully remove the plastic wrap around the screens and identify the area as circled in the picture below. Then, attach the material sling to the position where circled. The T-bar (sling material stopper – above the circle) is to stop the sling from slipping and maintains the screen's central movement when lifting into position.



3. Then, slowly lift the sight screen/carriages into place using 2 people to support and guide the carriages onto the track. While lifting, ensure the sling is not slipping to prevent any mishaps or accidents.



4. Once the sight screen is vertical, slowly position the screen frame with guide rollers into the guide track position. **Caution: Please be careful while placing the wheels onto the track. Do not place the fingers under the channel rail. Serious Injury may occur.**



5. Align the guide wheels with the guide track railings and start moving the screen along the track.





6. Then, move the sight screen along the track to a position.



7. Repeat the process until the required number of screens have been installed.

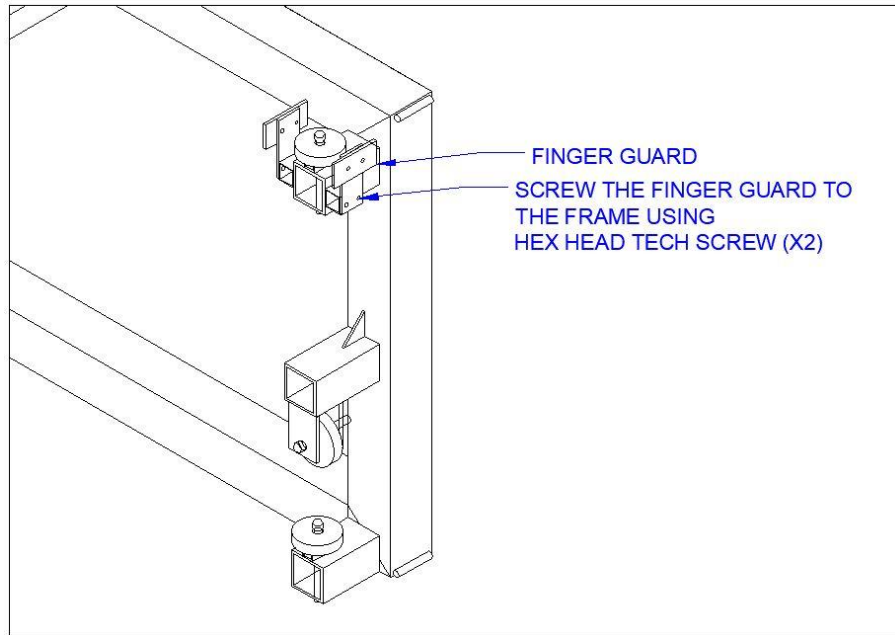


8. Then, attach the end stops at both ends of the track to prevent the screen from overshooting the tracks using M20 x 40mm gal bolt, spring washer and nut.
9. Position the screens based in alignment with the playing pitch and place the wheel chocks to prevent the screens from rolling over as shown in the picture.

To place the wheel chock, attach one end of the m6 chain link to the wheel chuck using a M8 x 25mm Gal Hex bolts and nyloc nut and screw the other end to the SHS tube above the bearing wheel using a 25MM Hex Metal Screw.



10. Then attach the finger guard to both sides of the upper roller wheel. Use 25MM Hex Metal Screws to screw the finger guard to the side of the upper roller wheel.



11. To attach the sheets to the guide rails, peel off the tape cover in the sheet and attach them to the guide rail.
12. To rotate the sight screen from Day (White screen) to Night (Black Screen), release the latch located on the rear side of the screen housing frame, rotate the screen 180°, and lock it in place using the latch.



13. When the screen is not in operation, release the latch and rotate the screen 90° and relock the latch.

Installation of Integrated AFL Netting System:

The eclipse sight screen has an integrated AFL ball retaining netting system and can cover a wide distance as required. The length of the net must be specified at the initial stage of the project to design the netting system.

The post on the track house the bracket for the netting posts and additional posts can be added beside the track system as per the length of the net.

For a 56-meter net, a typical netting system and its installation procedure is mentioned below along with the parts and fittings required.

The integrated system has four center posts and two outer posts per each end.

For Centre Posts:

Parts required:

- 8 Bottom poles – 3.25m in length each
- 8 Upper Poles – 4.965m in length each
- 8 Pole Bracket
- 8 Black Polypropylene Rope – 16m in length each
- Attach the netting pole bracket to the C2 H-beam using M20 x 40mm gal hex bolts, washer, and nut (4 brackets per end).
- Then, feed the ropes through the single pulley located at the upper poles.
- Then, insert the upper pole into the bottom pole and join them together using M8 x 90mm gal hex bolt and nyloc nut.
- Then, lift the whole assembly using a crane lift or any other lifting assistance and place them into the pole bracket.

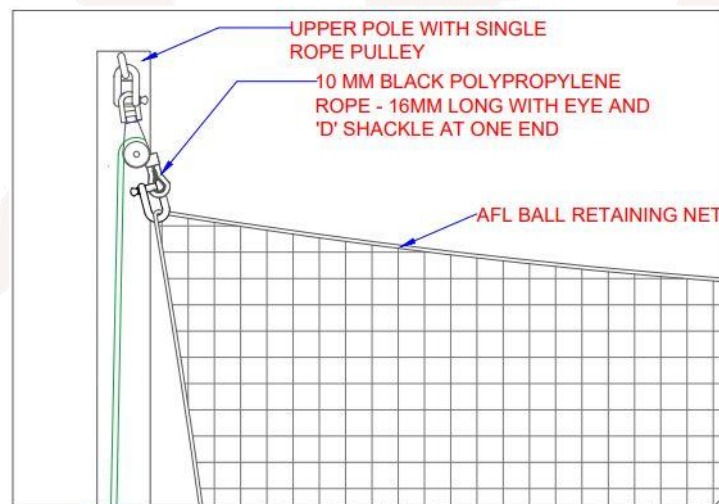
For Outer Posts:

Parts required:

- 4 Bottom poles – 6.5m in length each
- 4 Upper Poles – 3m in length each
- 4 Pole Sleeves (Already supplied and installed on site alongside track posts)
- 4 Black Polypropylene Rope – 16m in length each
- Feed the rope through the single pulley located at the upper poles.
- Then, insert the upper pole into the bottom pole and join them together using M8 x 90mm gal hex bolt and nyloc nut.
- Then, lift the whole pole assembly and insert it into the ground sleeve with a hinged lid.

Raising the net:

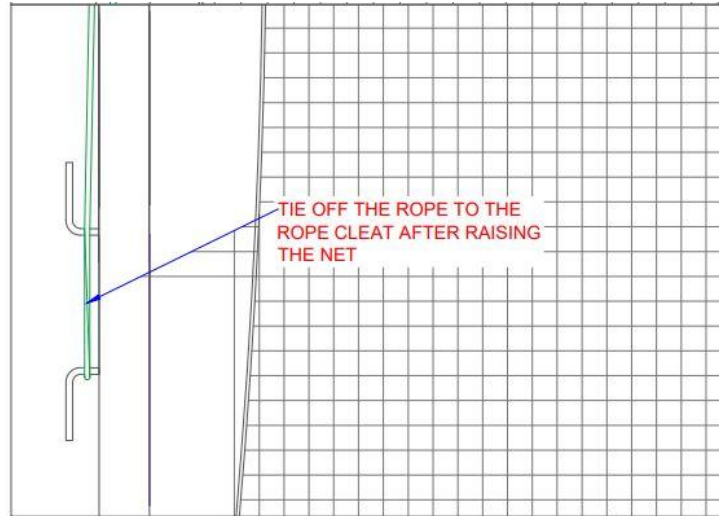
- Lay the net on the ground across the layout of the netting poles.
- Use the 'D' Shackle in the rope to attach it to the net.
- Then, pull the ropes to raise the net to the required height and tie off the ropes to the rope cleats located at each pole.



13 Alex Fisher Drive, Burleigh Heads, QLD 4220 (Australia)

Ph: 1300 851 518 | +61 7 5593 4494

Email: email@playhardsports.com.au | W: www.playhardsports.com.au



Operating Procedure:

The Eclipse Cricket Sight Screen is quick and easy to operate:

- To move the position of each screen, from the rear, remove the wheel chock and push the frame assembly to the new position.
- Ensure that there are angle iron brackets (end stops) on each end to prevent the screen frame from overshooting the guide track.

Caution: Wheels move under the channel. Do not place the fingers under the channel rail. Serious Injury may occur.

- When the screens are in a new position, reinstall the wheel chocks to stop the frame from rolling over.
- To rotate the screens, release the latch which is located at the underside of the front face of the screen. When rotated re-engage the latch.
- When not in operation, release the latch, rotate the screen 90°, and re-engage the latch. This is critical to prevent damage to the screens in windy conditions.

The Eclipse Cricket Sight Screen is designed to suit the ground that hosts both cricket and AFL games. So, when the cricket season is over the screens can be removed and stored.

- Remove the end stop from one end of the guide track.
- To remove the rotating screens, place a sling at the horizontal arm located at top of the screen frame and with the aid of a crane truck (or similar).
- Carefully guide the screen out of the track. Ensure the sling doesn't slide past the T-bar stop on the arm.
- Then follow the procedure to erect the AFL ball retaining poles as mentioned in the installation instructions and raise the net.

Warranty Certificate:



When you purchase a Play Hard Sports Equipment product you have the peace of mind in knowing that your product is covered by Play Hard Sports Equipment's manufacturer's warranty against faulty workmanship and materials.

The standard Play Hard Sports product warranty terms and conditions apply. The metal components of the product have a 5-year warranty against defective materials and workmanship. The net and ropes have a two-year warranty. The life span of the net and ropes are subject to weather conditions, the amount of use, and misuse. Lack of maintenance will void the warranty.

The warranty covers damage or failure of the product during normal intended use. The warranty does not include damage to the product resulting from accident, misuse, improper installation, operation, or unauthorised repair or alteration. Products manufactured for home use are not guaranteed for use in commercial applications.

If the product should become defective within the warranty period, please get in touch with Play Hard Sports Equipment customer service:

24 Ern Harley Drive
Burleigh Heads QLD 4220
Ph: (07) 55934494
Fax: (07) 55934338
Email: email@playhardsports.com.au