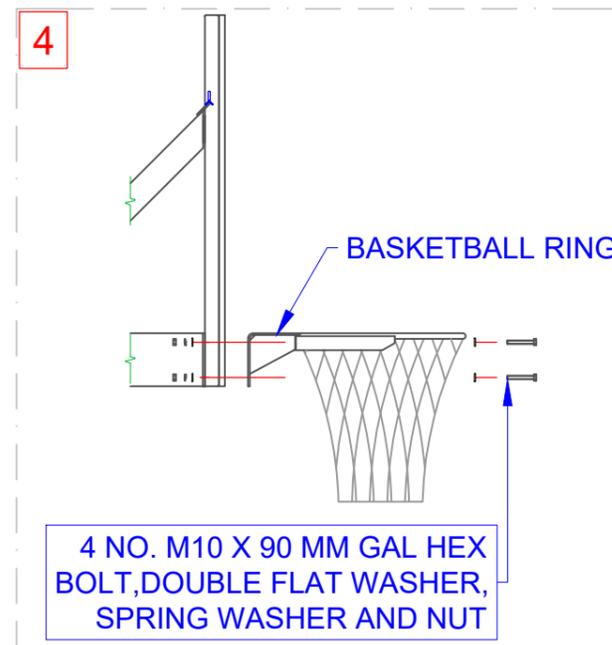
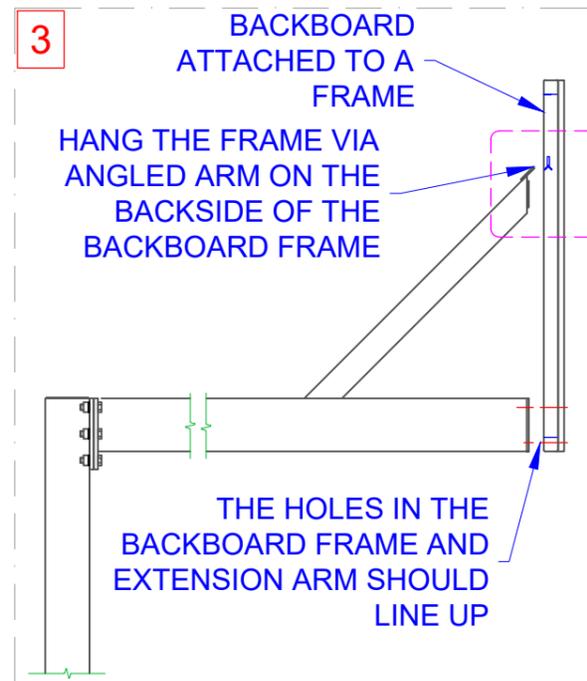
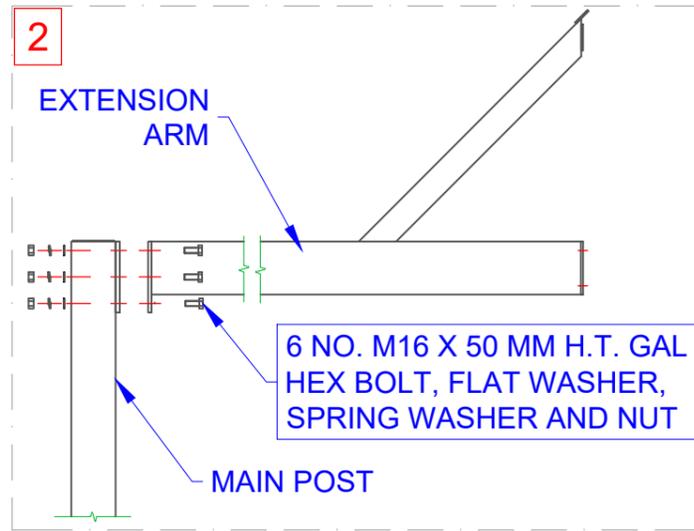
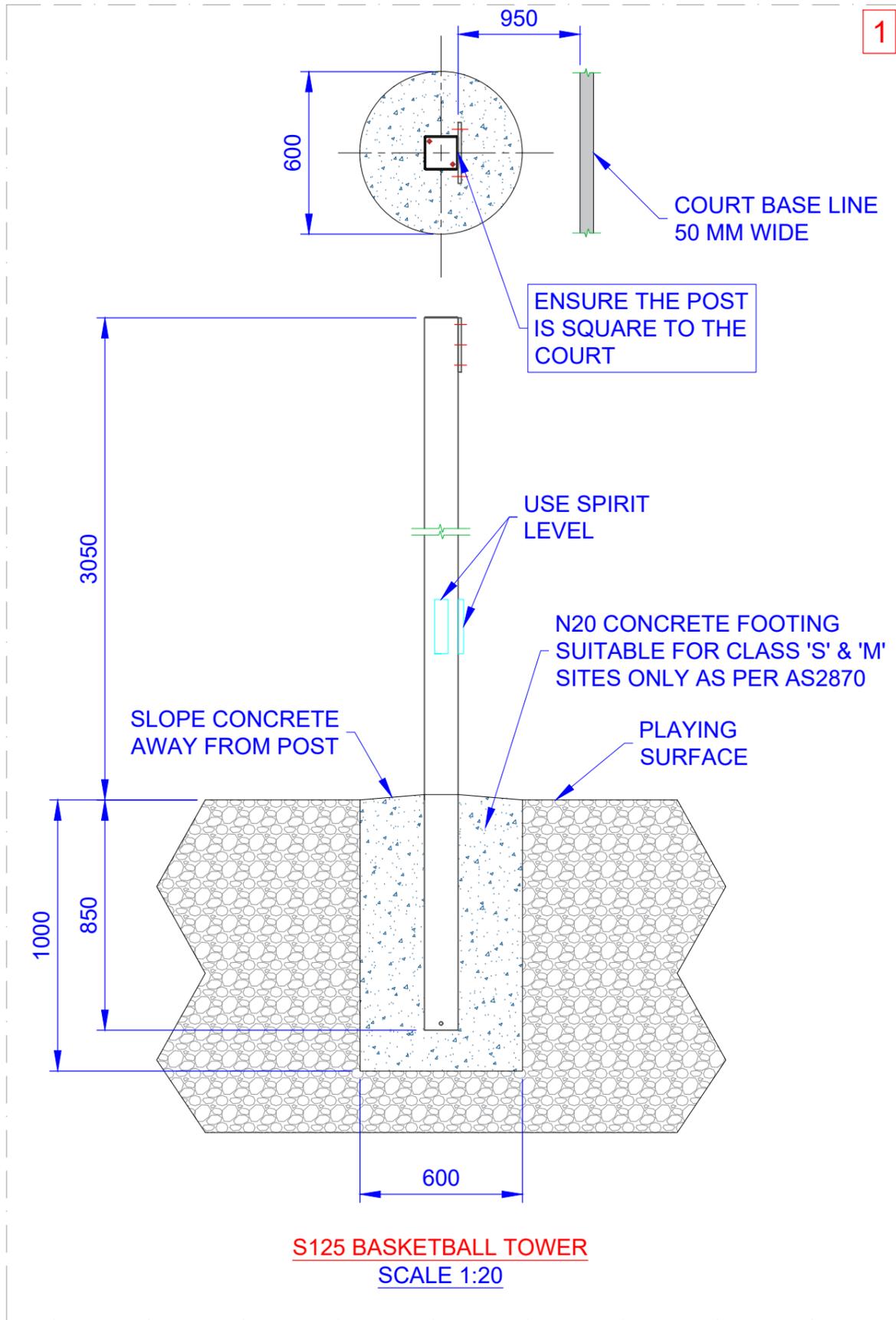
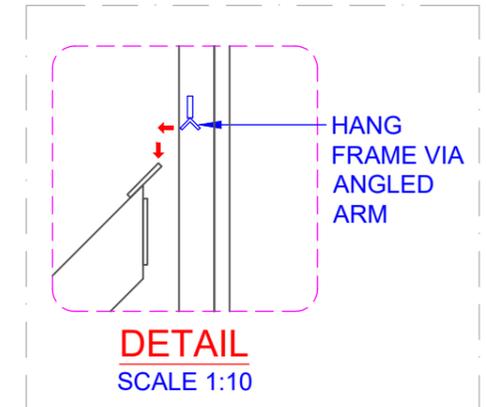


ASSEMBLY INSTRUCTIONS



COMPONENTS

QTY	ITEM
1	MAIN POST
1	EXTENSION ARM
1	BACKBOARD AND FRAME
1	RING, CORD AND NET
6	M16 X 50 H.T. GAL HEX BOLT, FLAT WASHER, SPRING WASHER & NUT
4	M10 X 90 MM GAL HEX BOLT, SPRING WASHER, DOUBLE FLAT WASHER & NUT



TITLE: S125 BASKETBALL TOWER
ASSEMBLY INSTRUCTIONS 2 OF 2

DRAWING NUMBER: S125 DRAWN BY: UMESH

CHECKED BY: DATE: 22/04/2024



Oz Ring Pty Ltd
Trading as:
Play Hard Sports Equipment
ABN 79 086 094 559
24 Elm Harley Drive
Burleigh Heads Qld 4220
Phone: (07) 5593 4494
Fax: (07) 5593 4338
Website: www.playhardsports.com.au
Email: email@playhardsports.com.au