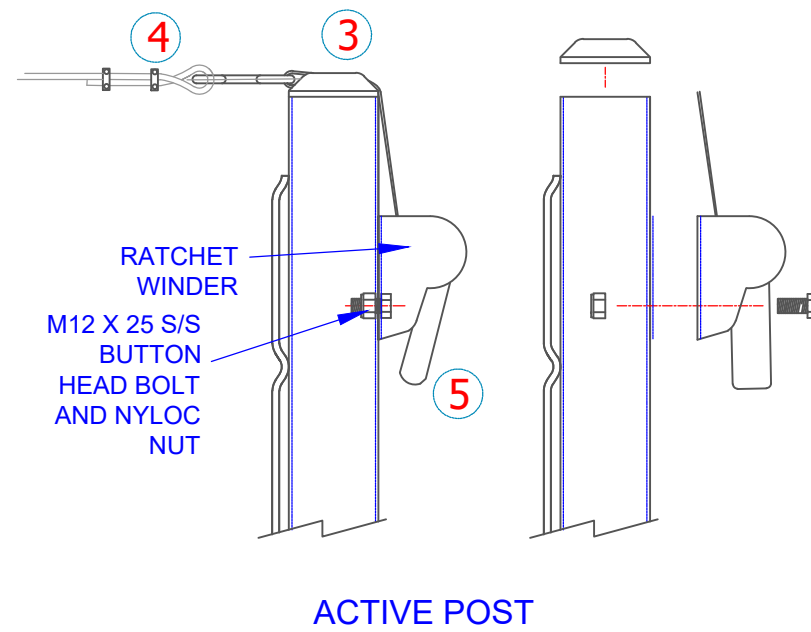


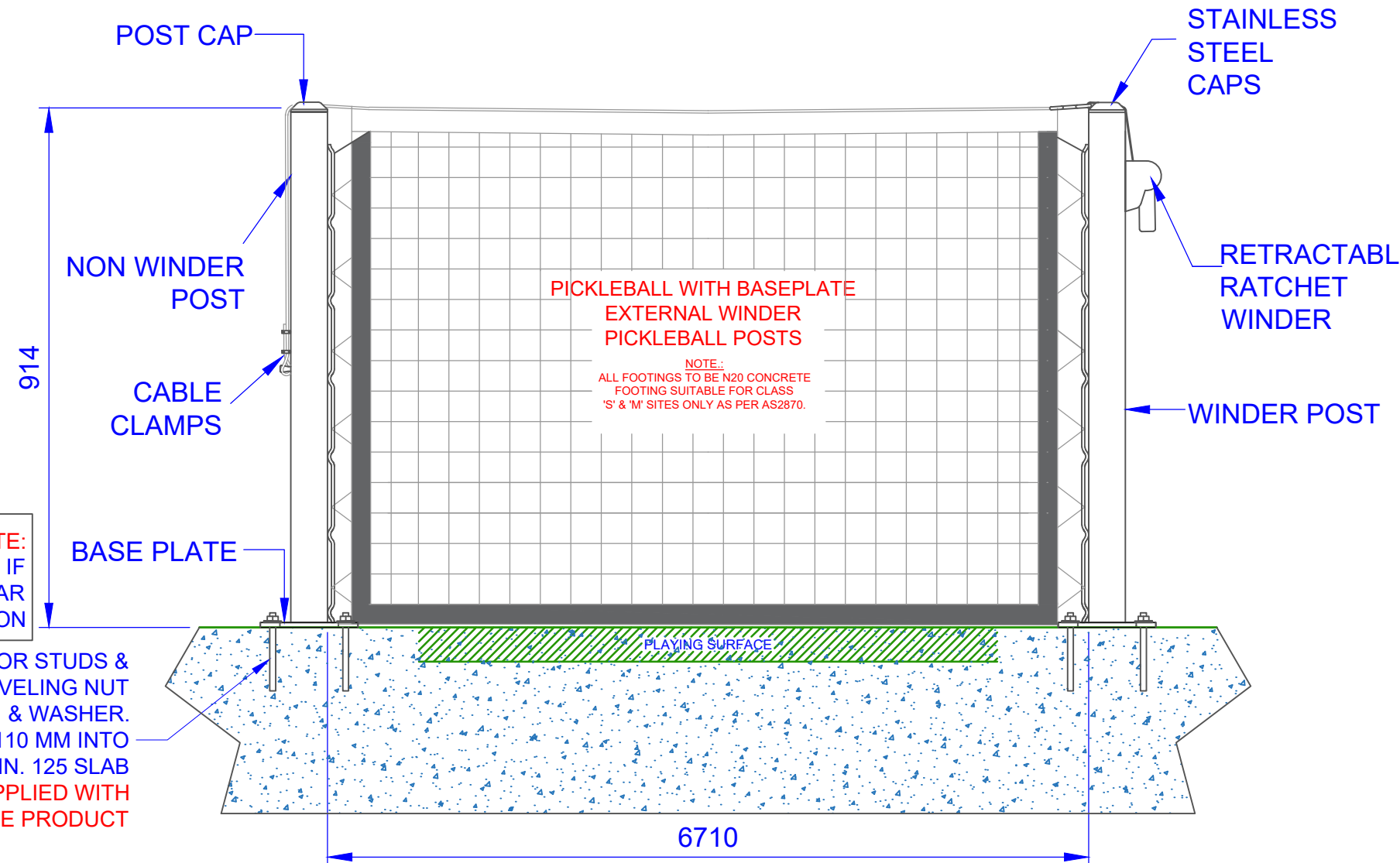
INSTRUCTION TO ATTACH NET

1. SET THE PICKLEBALL POSTS AT CORRECT POSITION, MARK THE HOLES AND DRILL THROUGH. THEN BOLT THEM DOWN USING CONCRETE SCREWS.
2. HOOK ONE END OF THE NET ROPE WITH EYE TO THE HOOK IN THE INACTIVE POST.
3. PASS THE ROPE OVER THE GROOVE IN THE INACTIVE POST CAP AND FEED THE OTHER END OF THE ROPE THROUGH THE GROOVE IN THE ACTIVE POST AS SHOWN.
4. THEN, HOOK THE OTHER END OF THE ROPE WITH EYE TO THE STRAP OF THE RATCHET WINDER.
5. USE THE RATCHET WINDER'S HANDLE TO TIGHTEN THE NET.

THE NET ROPE HAS EYE AT BOTH ENDS.



QTY	ITEM DESCRIPTION
1	NON WINDER POST ON BASE PLATE WITH INTERNAL BOLT SHAFT
1	WINDER POST ON BASE PLATE WITH RATCHET WINDER MECHANISM
2	STAINLESS STEEL POST CAPS
1	FULTON RETRACTABLE RATCHET (TRANSOM TIE DOWN - 2" STRAP W/ S-HOOK) BOLT-ON FUNCTION
1	M12 X 25 MM S/S BUTTON BOLT AND NYLOC NUT



NOTE:
MUST USE S/S STUDS IF THE SITE IS NEAR COASTAL REGION

5 X M12 CHEMSET ANCHOR STUDS & CHEMSET REO 502 WITH LEVELING NUT & WASHER. DRILL AND EPOXY GROUT 110 MM INTO MIN. 125 SLAB
NOTE: ANCHORS NOT SUPPLIED WITH THE PRODUCT

TITLE: PBR-BP RATCHET WINDER PICKLEBALL POSTS ON BASE PLATE	
DRAWN BY: UMESH	DRAWING NUMBER: ASSEMBLY
DATE:	WEIGHT: A4



Oz Ring Pty Ltd
Trading as:
Play Hard Sports Equipment
ABN 79 066 094 559
24 Ern Harley Drive Burleigh Heads Qld 4220
Phone: (07) 5593 4494 Fax: (07) 5593 4338
Website: www.playhardsports.com.au
Email: email@playhardsports.com.au