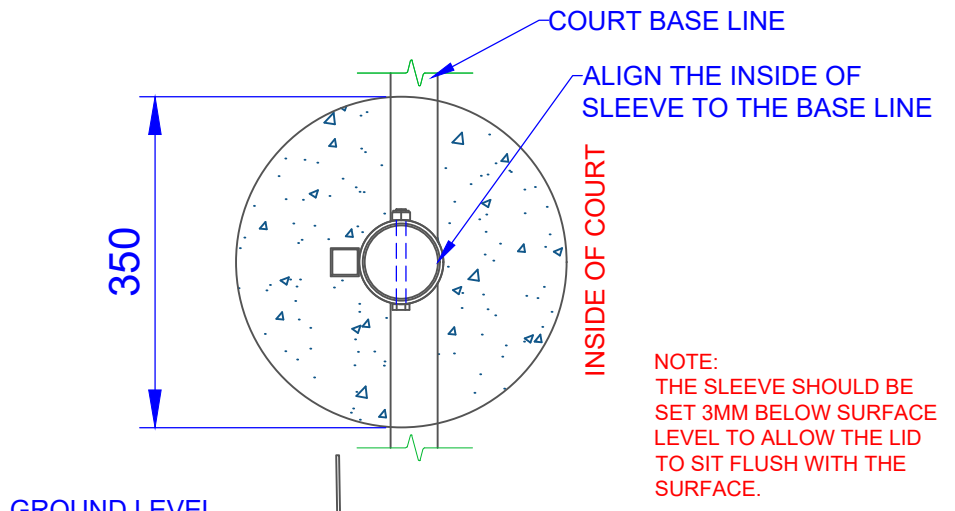
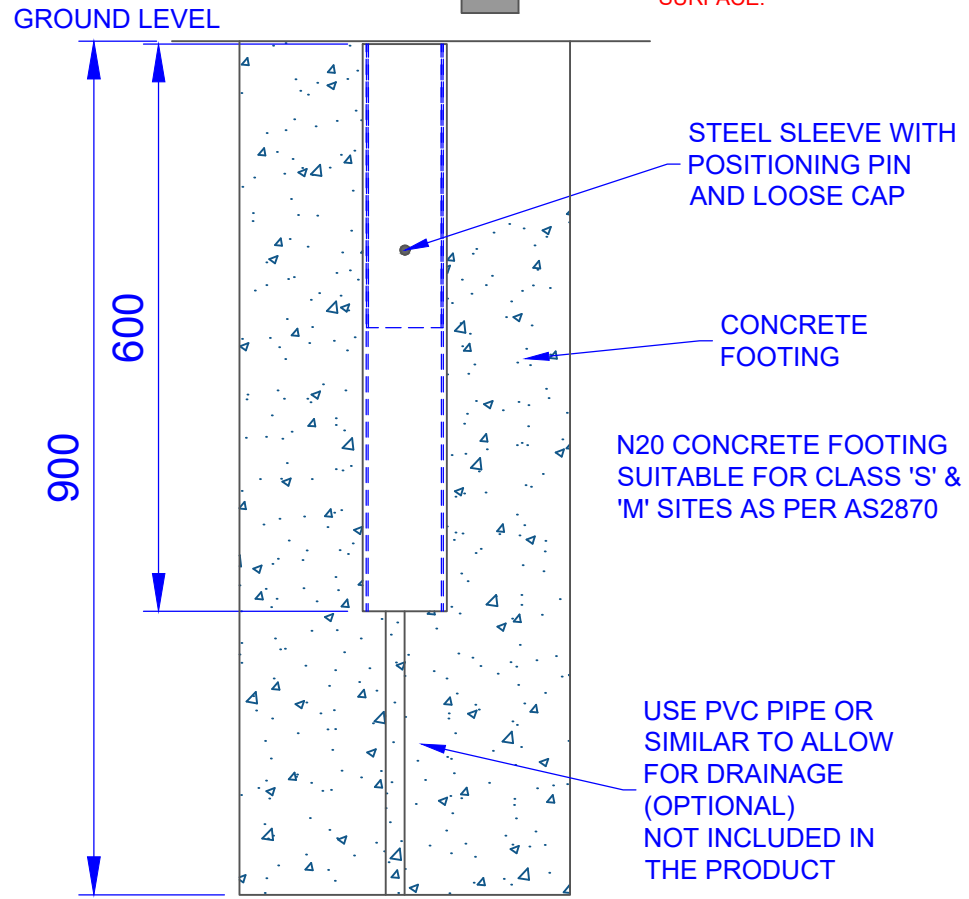


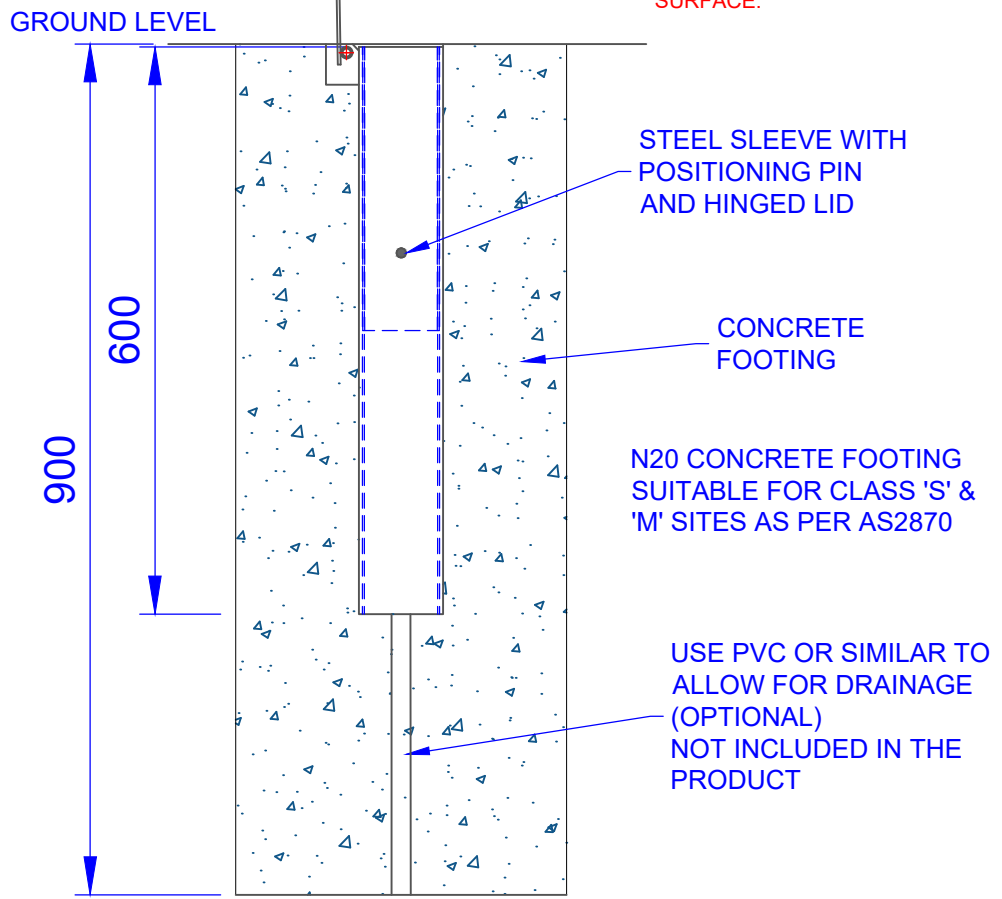
NOTE:
THE SLEEVE SHOULD BE SET 3MM BELOW SURFACE LEVEL TO ALLOW THE LID TO SIT FLUSH WITH THE SURFACE.



NOTE:
THE SLEEVE SHOULD BE SET 3MM BELOW SURFACE LEVEL TO ALLOW THE LID TO SIT FLUSH WITH THE SURFACE.



SLEEVE OPTION:
ES76 STEEL SLEEVE WITH EL76 LOOSE CAP



SLEEVE OPTION
EHC76 STEEL SLEEVE WITH HINGED LID

QTY	ITEM DESCRIPTION
1	BASE POLE (1.77M LONG)
1	TELESCOPIC POLE (1.837M LONG)
1	NR60 NETBALL RING
1	NETBALL NET, CORD & INSTRUCTIONS
1	M12 X 20 MM LOBE KNOB
1	NS76T COLLAR
2	M8 X 30 MM S/S SOCKET HEADED COUNTERSINK CAP SCREWS
OPTIONS FOR SLEEVES	
1	ES76 SLEEVE AND EL76 CAP
1	EHC76 STEEL SLEEVE WITH HINGED CAP

TITLE: NS76Tc NETBALL POST	
DRAWING NUMBER: ASSEMBLY	
WEIGHT: -	CUBIC MEASURE: -



Oz Ring Pty Ltd
Trading as:
Play Hard Sports Equipment
ABN 79 066 094 559
24 Ern Harley Drive
Burleigh Heads Qld 4220
Phone: (07) 5593 4494
Fax: (07) 5593 4338
Website: www.playhardsports.com.au
Email: email@playhardsports.com.au