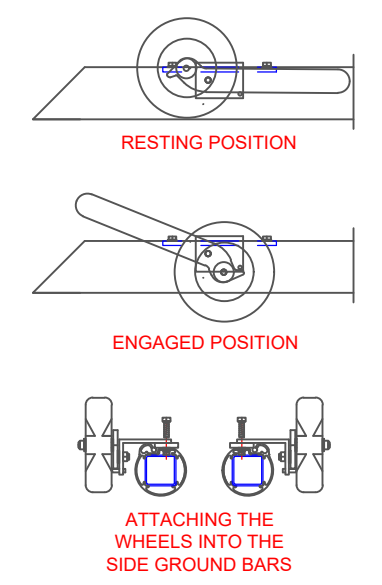
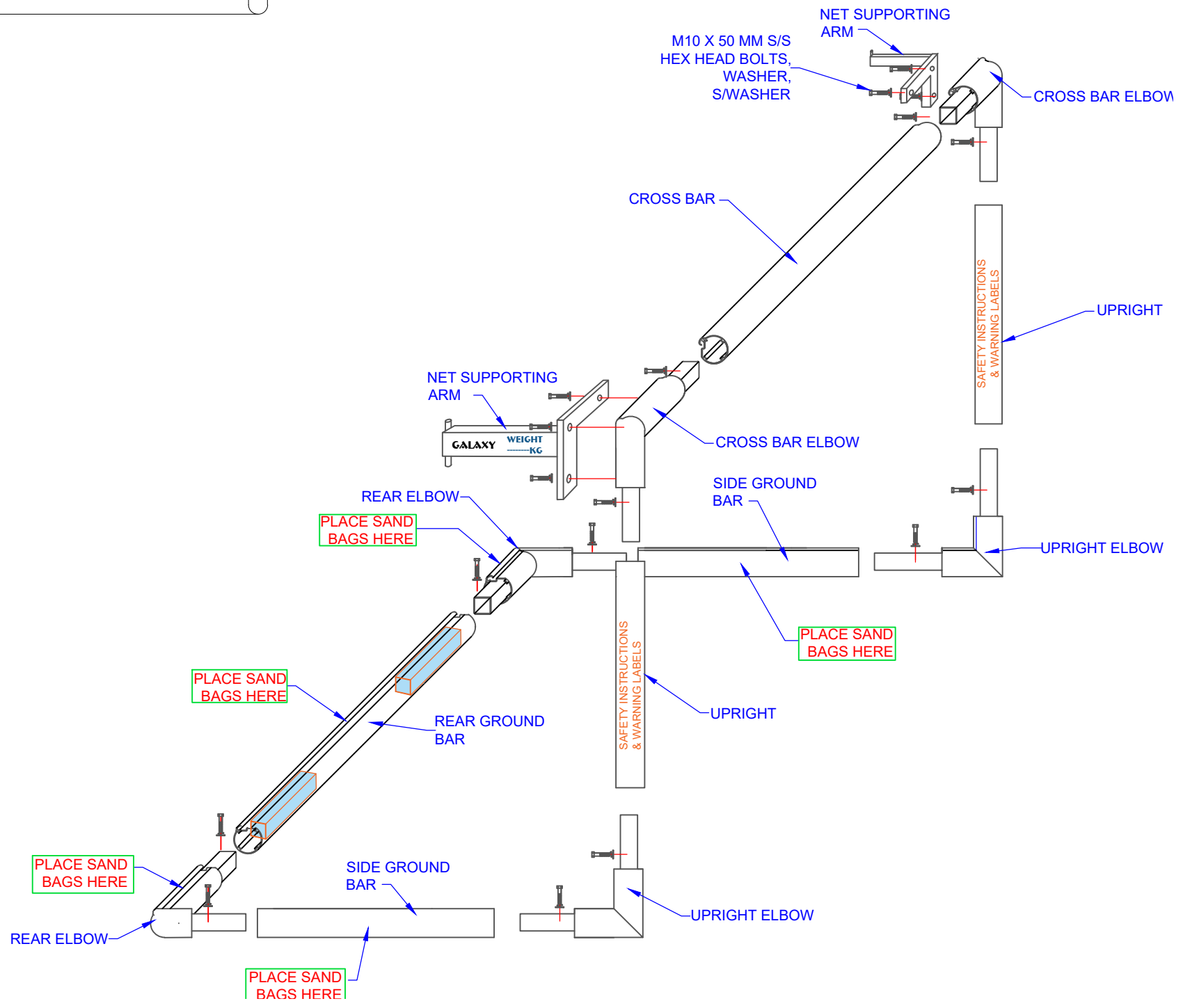


PLACEMENT OF NET INTO THE BAR

COMPONENTS (ONE PAIR)	
QTY	ITEM DESCRIPTION
2	CROSS BAR (4774 MM)
4	UPRIGHT (1687 MM)
2	REAR GROUND BAR (4774 MM)
4	GROUND SIDE BAR (1387 MM)
4	CROSS BAR ELBOW
4	REAR GROUND BAR ELBOW
4	UPRIGHT ELBOW
2	LEFT NET SUPPORT ARM
2	RIGHT NET SUPPORT ARM
4	8 MM PVC TUBE 9500 MM LONG
2	LEFT END WHEEL ASSEMBLY
2	RIGHT END WHEEL ASSEMBLY
2	NET 5.0 X 2.0 X 0.8 X 1.5 M
8	SAND BAGS
36	M10 X 50 MM S/S HEX HEAD BOLT, WASHER & S/WASHER

NOTE FOR THE CUSTOMER:
BOLTS HAVE ALREADY BEEN ATTACHED TO THE ELBOWS.
PLEASE CHECK EVERY ITEM IS ACCOUNTED FOR, IF NOT
CALL US IMMEDIATELY.

1. Lay the crossbar and two uprights on the ground.
2. Insert the uprights into the crossbar and bolt together with M10 x 50mm s/s hex head bolts, washers and spring washers. Attach the net support arms with three M10 x 50mm s/s hex head bolts, washers and spring washers.
2. Insert the side ground bars into the ends of the uprights. Secure with M10 x 50mm s/s hex head bolts, washers and spring washers.
3. Insert the rear ground bar into the side ground rails and secure with M10 x 50mm s/s hex head bolts, washers and spring washers.
6. Attach the net to the cross bar and uprights while they are lying on the ground by inserting the net edge into the profile, then pressing the PVC tube under the track curve.
7. Continue to attach the net by pressing the PVC tube under the track curve.
8. Tie the net cord at the top rear of the net to the net rail pins to reduce sag in the net.



TITLE: GALAXY 52f

DRAWING NUMBER: Assembly Instruction

Oz Ring Pty Ltd
Trading as:
Play Hard Sports Equipment
ABN 79 066 094 559
24 Ern Harley Drive
Burleigh Heads Qld 4220
Phone: (07) 5593 4494
Fax: (07) 5593 4338
Website: www.playhardsports.com.au
Email: email@playhardsports.com.au