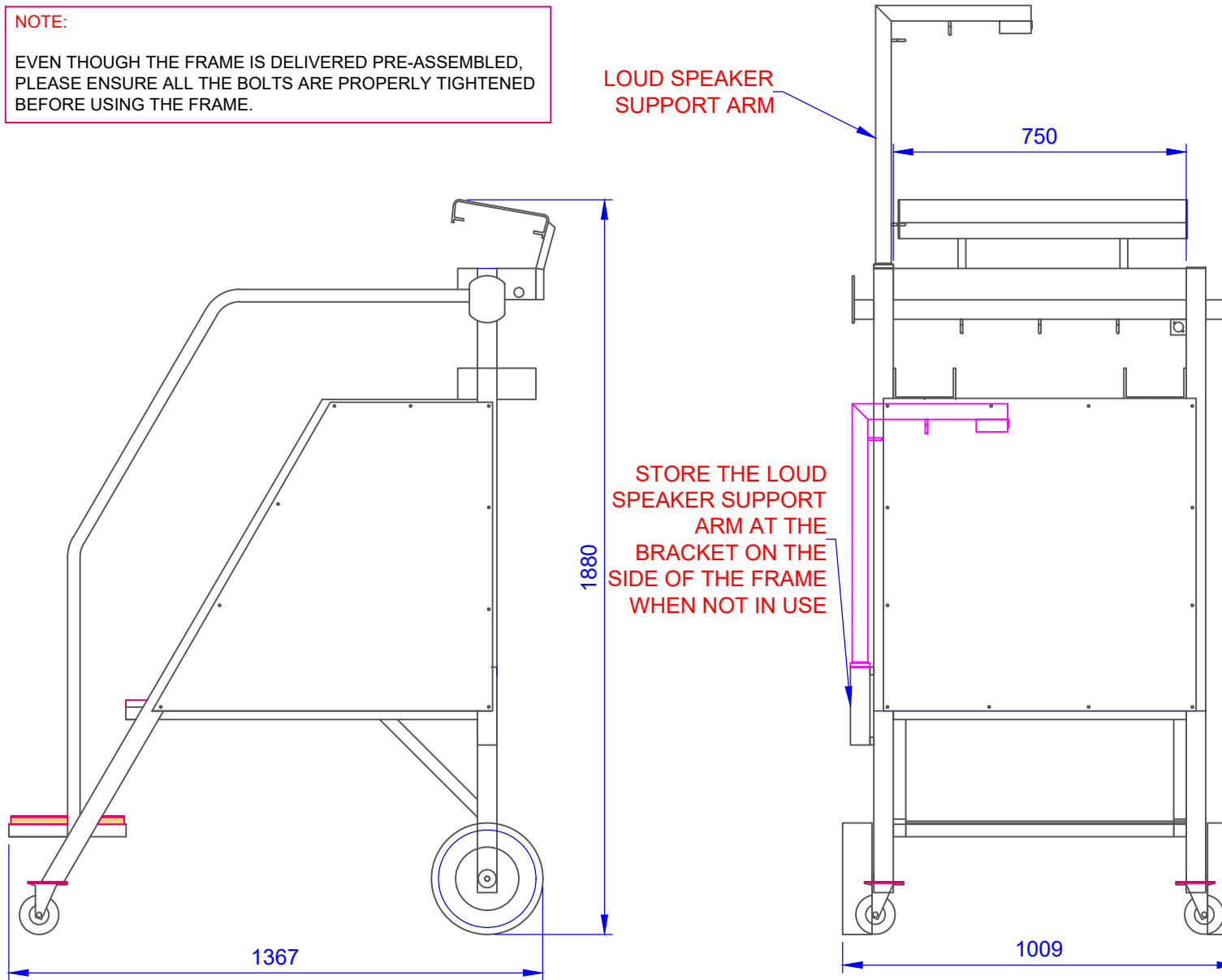


# ASSEMBLY INSTRUCTIONS

**NOTE:**

EVEN THOUGH THE FRAME IS DELIVERED PRE-ASSEMBLED, PLEASE ENSURE ALL THE BOLTS ARE PROPERLY TIGHTENED BEFORE USING THE FRAME.



**TRN26 STARTERS STAND**

# COMPONENTS

QTY	ITEM
1	TRN26 STARTERS STAND

TITLE: <b>TRN26 STARTERS STAND</b>	
DRAWING NUMBER: ASSEMBLY - CLIENT	
WEIGHT: -	CUBIC MEASURE -



Oz Ring Pty Ltd  
 Trading as:  
**Play Hard Sports Equipment**  
 ABN 79 066 094 559  
 24 Ern Harley Drive  
 Burleigh Heads Qld 4220  
 Phone: (07) 5593 4494  
 Fax: (07) 5593 4338  
 Website: [www.playhardsports.com.au](http://www.playhardsports.com.au)  
 Email: [email@playhardsports.com.au](mailto:email@playhardsports.com.au)