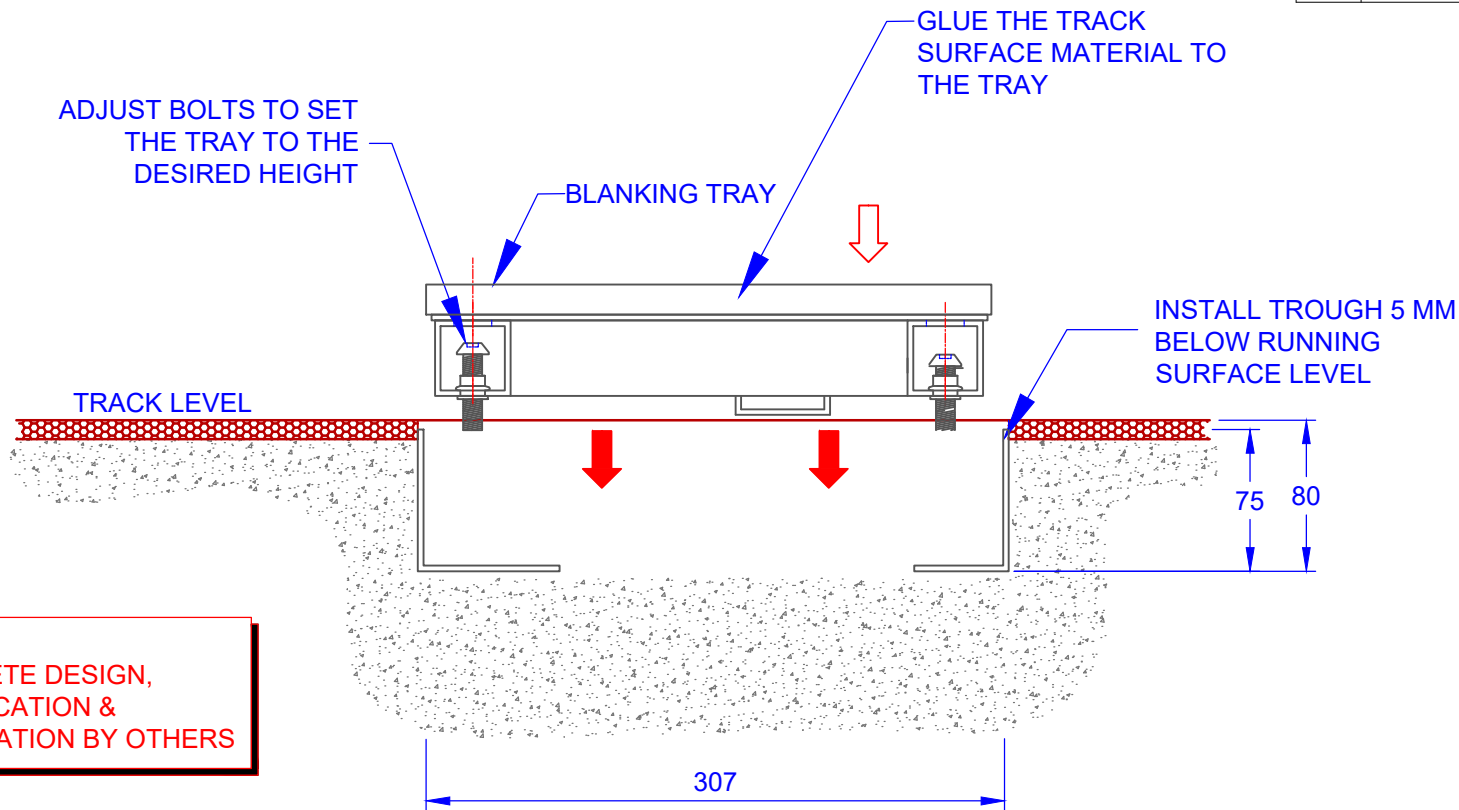


QTY	ITEM DESCRIPTION
1	TLJ15 BLANKING TRAY
4	M10 X 40 MM S/S BUTTON HEAD SET SCREW
-	-
-	-
-	-
-	-
-	-



**NOTE:**  
 CONCRETE DESIGN,  
 SPECIFICATION &  
 INSTALLATION BY OTHERS

**SECTION VIEW**  
**TLJ05 TROUGH & TLJ15 BLANKING TRAY**  
 N.T.S.

TITLE: <b>TLJ15 BLANKING TRAY</b>	
DRAWING NUMBER: TLJ15 - ASSEMBLY	
WEIGHT: -	# OF PACKAGES -
ORDER PACKED BY: -	ORDER CHECKED BY: -



**Oz Ring Pty Ltd**  
 Trading as:  
**Play Hard Sports Equipment**  
 ABN 79 066 094 559  
 24 Ern Harley Drive  
 Burleigh Heads Qld 4220  
 Phone: (07) 5593 4494  
 Fax: (07) 5593 4338  
 Website: [www.playhardsports.com.au](http://www.playhardsports.com.au)  
 Email: [email@playhardsports.com.au](mailto:email@playhardsports.com.au)