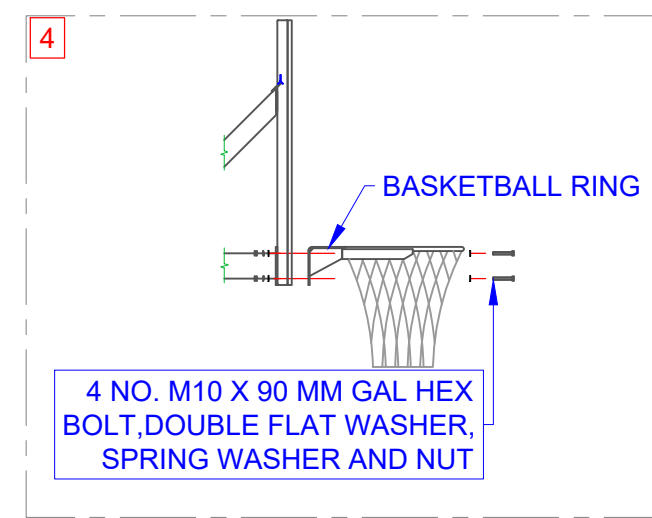
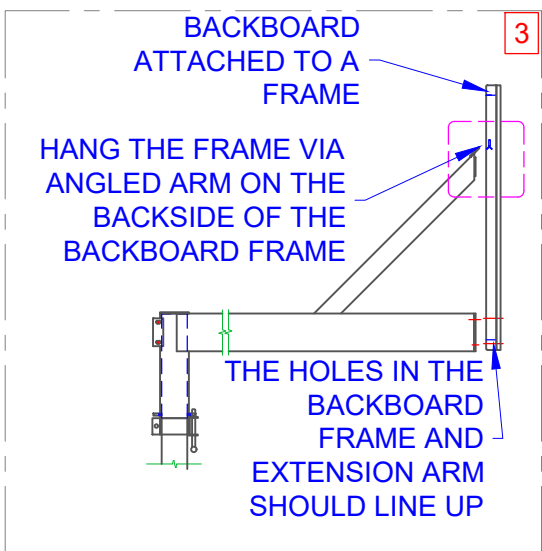
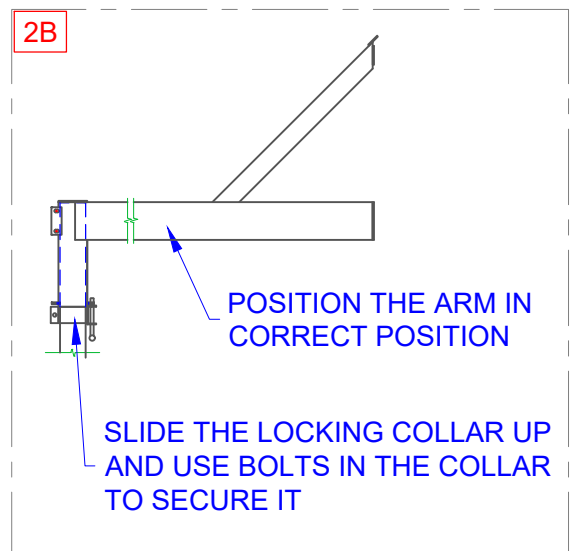
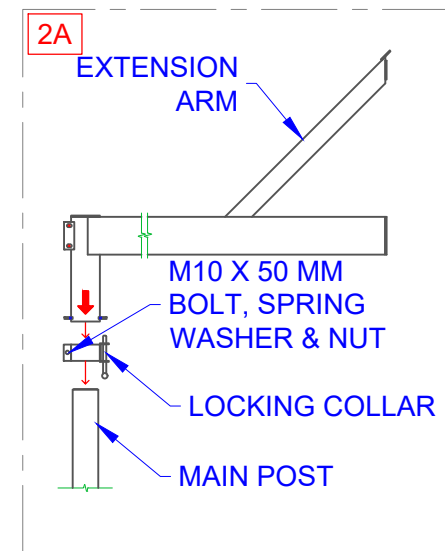
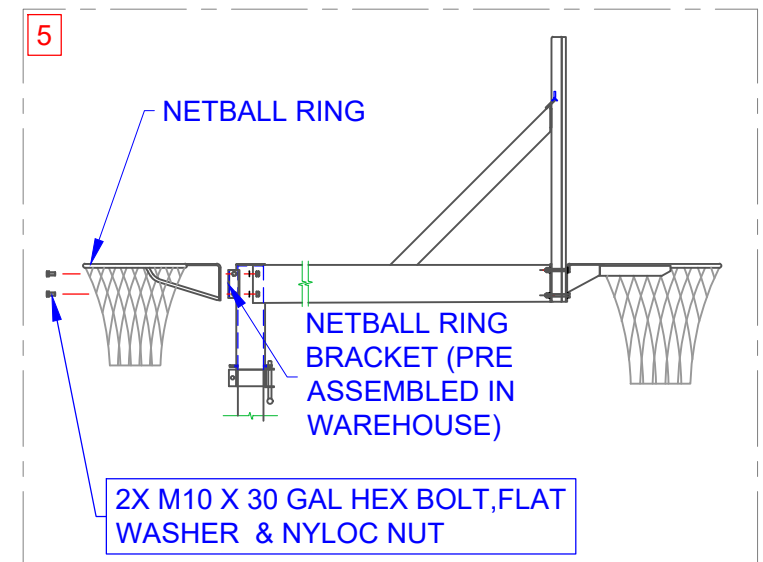
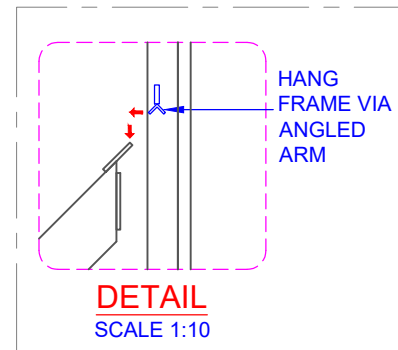


QTY	ITEM DESCRIPTION
1	127 OD MM DIA. MAIN POST
1	150 MM X 100MM EXTENSION ARM
1	B18fh BACKBOARD FRAME
1	B1810 BACKBOARD
1	R11b BASKETBALL RING
1	BASKETBALL RING KIT (NET, CORD, INSTRUCTIONS)
1	NRa NETBALL RING
1	NRa NETBALL RING KIT (NET, CORD, INSTRUCTIONS)
1	COLLAR WITH SPRING BOLT
1	SN90R/S125R TURNING TOOL (1 PER BASKETBALL COURT)
1	NRa NETBALL RING BRACKET (EXTENSION ARM)
BOLT KIT	
4	M10 X 90 MM GAL HEX BOLT, DOUBLE FLAT WASHER SPRING WASHER & NUT
2	M10 X 30 MM GAL HEX BOLT, FLAT WASHER & NYLOC NUT
1	M10 X 50 MM GAL BOLT, SPRING WASHER & NUT
4	M10 X 30 MM ZINC-COATED SOCKET HEADED CAP SCREW, FLAT WASHER AND NYLOC NUT

NOTE:
SOME OF THE PARTS ARE PRE-ASSEMBLED IN THE WAREHOUSE.



TITLE: S125r ROTATING BASKETBALL/NETBALL TOWER ASSEMBLY INSTRUCTIONS 2 OF 2	
DRAWING NUMBER: S125r	DRAWN BY: UMESH
CHECKED BY: -	DATE: 09/05/2024