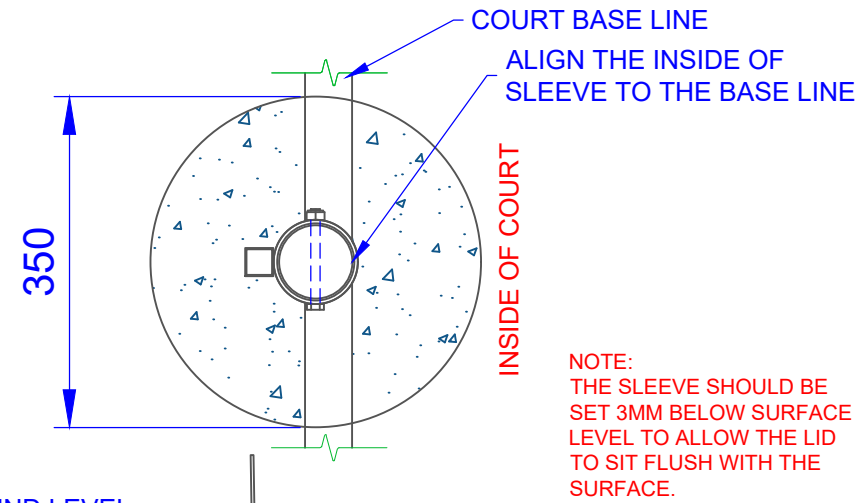
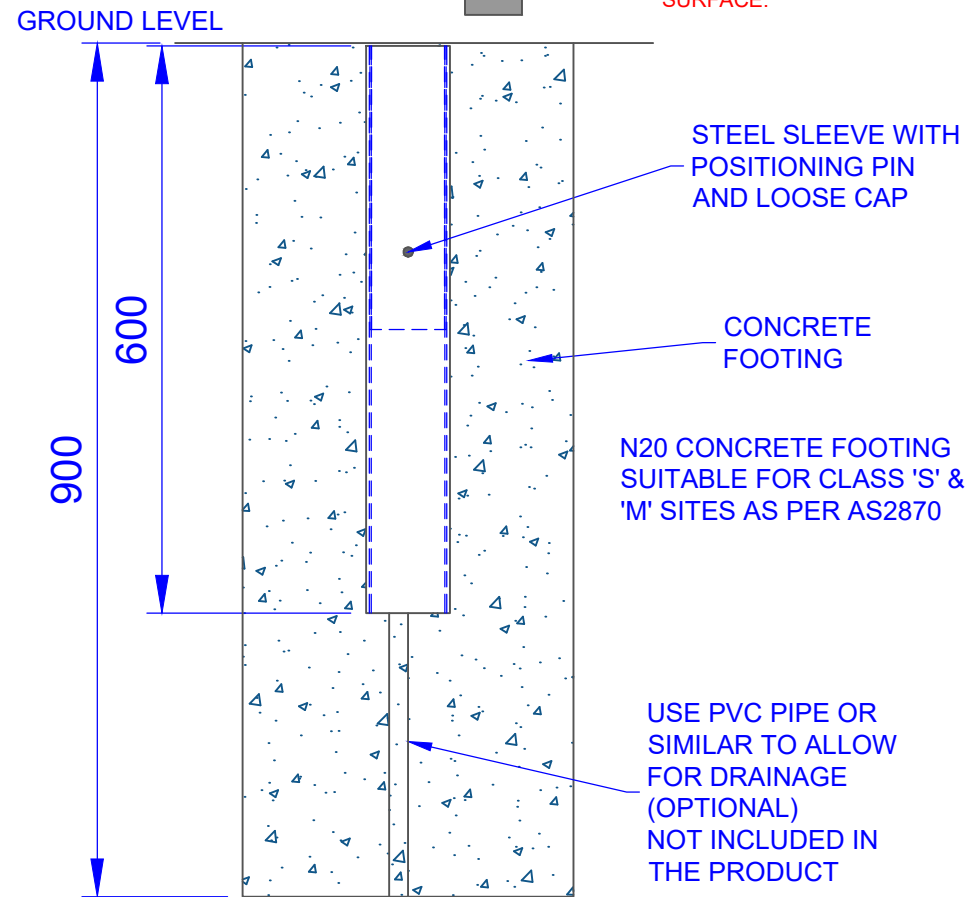


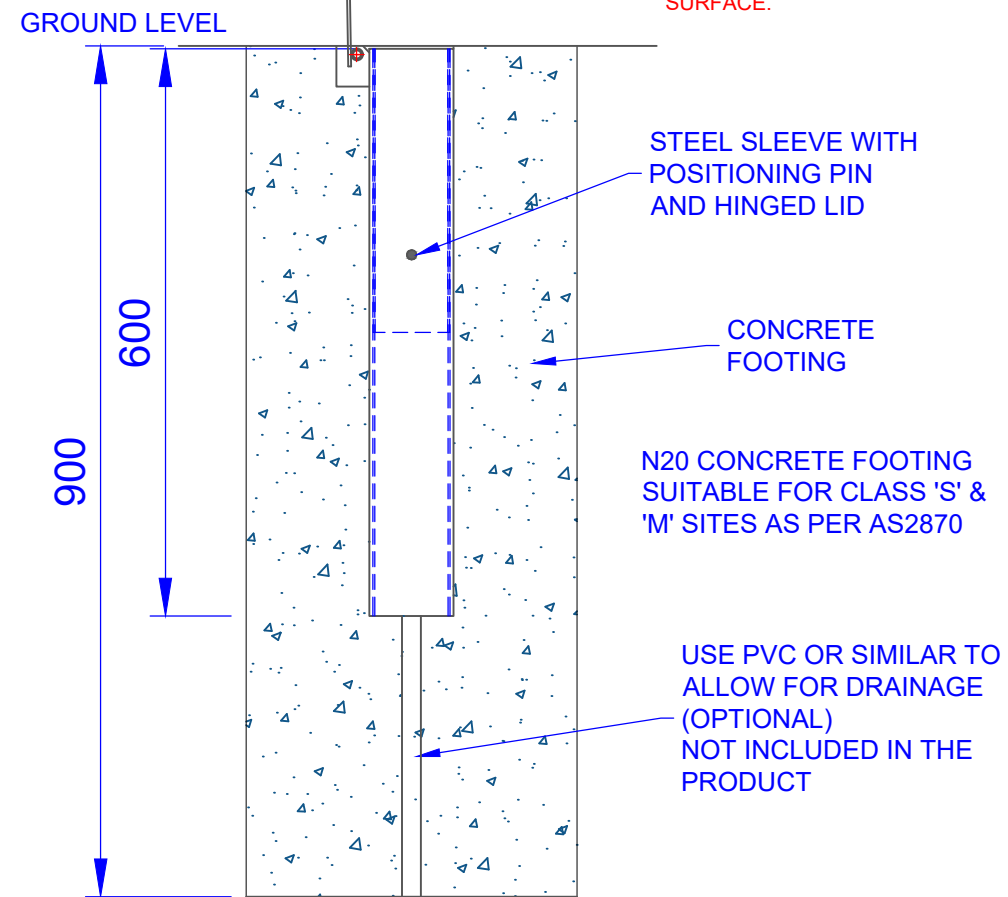
NOTE:
THE SLEEVE SHOULD BE SET 3MM BELOW SURFACE LEVEL TO ALLOW THE LID TO SIT FLUSH WITH THE SURFACE.



NOTE:
THE SLEEVE SHOULD BE SET 3MM BELOW SURFACE LEVEL TO ALLOW THE LID TO SIT FLUSH WITH THE SURFACE.



SLEEVE OPTION:
ES76 STEEL SLEEVE WITH EL76 LOOSE CAP



SLEEVE OPTION
EHC76 STEEL SLEEVE WITH HINGED LID

TITLE: NETBALL POST NS76		
DRAWING NUMBER: FOOTING DETAILS		
 Oz Ring Pty Ltd Trading as: Play Hard Sports Equipment ABN 79 066 094 559 24 Ern Harley Drive Burleigh Heads Qld 4220 Phone: (07) 5593 4494 Fax: (07) 5593 4338 Website: www.playhardsports.com.au Email: email@playhardsports.com.au		
This Drawing Remains the property of Play Hard Sports Equipment ©		
SCALE	THIRD ANGLE	REV 1