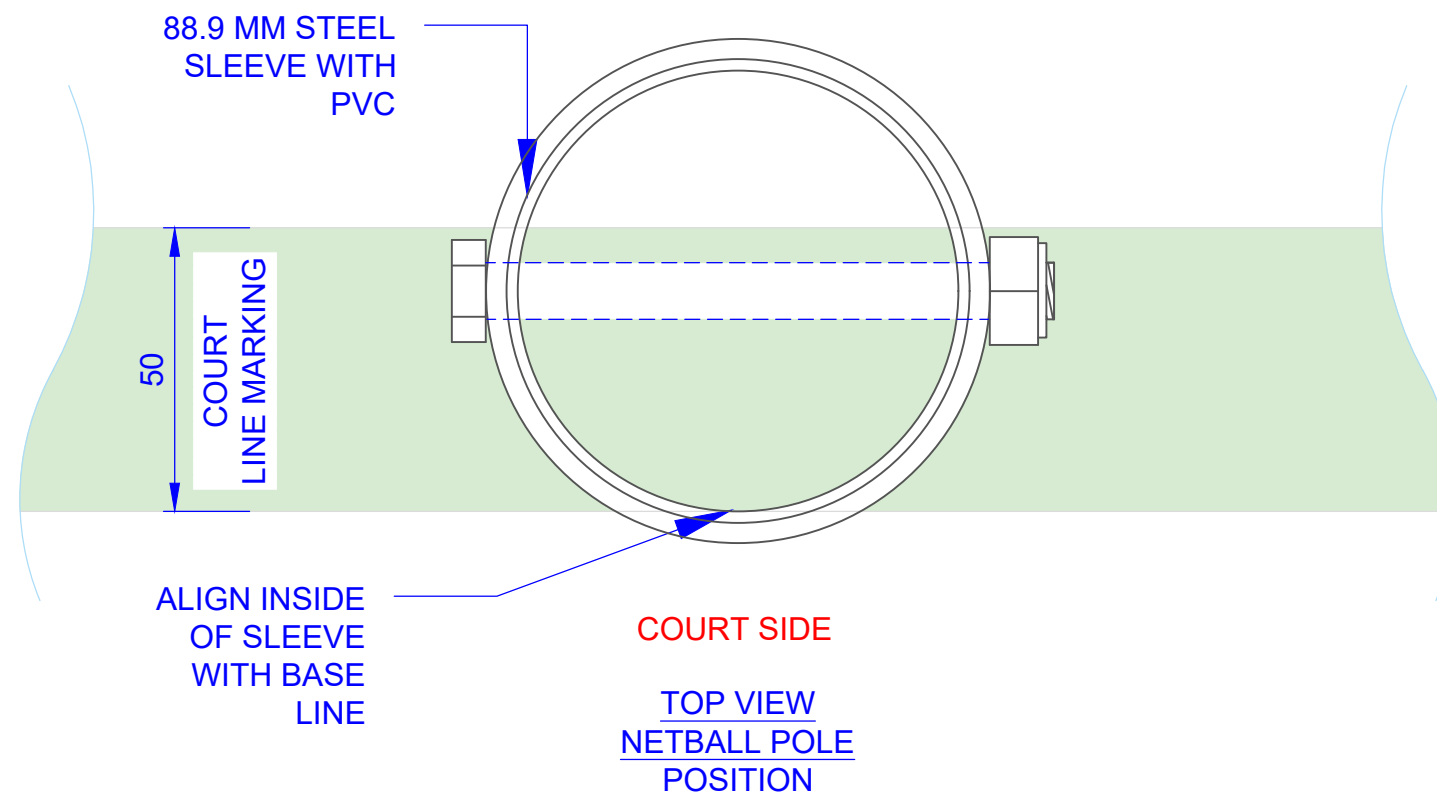


INSTALLATION INSTRUCTIONS:

- PLEASE REFER TO FOOTING DRAWINGS FOR DETAILS OF THE FOOTING.
CONCRETE SHOULD BE AS SPECIFIED AND FOOTING IS SUITABLE FOR CLASS 'S' & 'M' SITES ONLY. MUST BE RE-ENGINEERED FOR DIFFERENT SOIL TYPES.
- WHILE INSTALLING THE FOOTINGS ON THE GROUND, ENSURE THAT THE BOLT ON THE SLEEVE IS IN CORRECT POSITION AS SHOWN.
- THE POSITION OF THE GROUND SLEEVE SHOULD BE IN REFERENCE TO THE COURT LINE MARKINGS. ALIGN THE INSIDE OF THE SLEEVE WITH THE COURT BASE LINE.
 LET THE CONCRETE SET AND CURE FOR FEW DAYS BEFORE INSTALLING THE NETBALL POST.
- ATTACH THE SUPPLIED SUPPLIED NETBALL RING TO THE POST USING M10 X 100 MM GAL HEX BOLT, WASHER AND NYLOC NUT.
 THE RING SHOULD BE IN THE ORIENTATION AS SHOWN IN THE DIAGRAM ONLY.
- THEN INSERT THE POST INTO THE GROUND SLEEVE WITH RING FACING THE PLAYING FIELD.



QTY	ITEM DESCRIPTION
1	MAIN POST
1	NRa NETBALL RING
1	NETBALL NET, CORD & INSTRUCTIONS
2	M10 X 100 MM GAL HEX BOLT, WASHER AND NYLOC NUT
OPTIONAL	
1	ES76 - STEEL GROUND SLEEVE + EL76 CAP (M10 X 100 GAL HEX HEAD BOLT AND NYLOC NUT)
1	EHC76 STEEL SLEEVE WITH HINGED LID (M10 X 100 GAL HEX HEAD BOLT AND NYLOC NUT)

TITLE: NETBALL POST NS76

DRAWING NUMBER: ASSEMBLY

Oz Ring Pty Ltd
 Trading as:
 Play Hard Sports Equipment
 ABN 79 066 094 559
 24 Ern Harley Drive
 Burleigh Heads Qld 4220
 Phone: (07) 5593 4494
 Fax: (07) 5593 4338
 Website: www.playhardsports.com.au
 Email: email@playhardsports.com.au

This Drawing Remains the property of Play Hard Sports Equipment ©

SCALE: THIRD ANGLE REV: 1