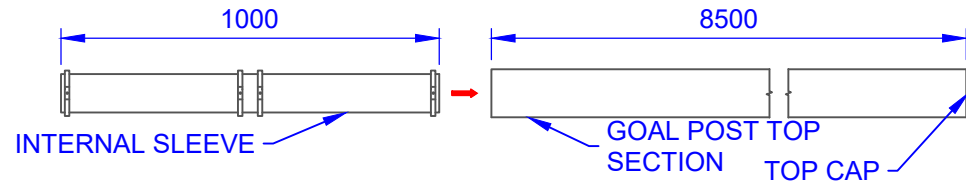
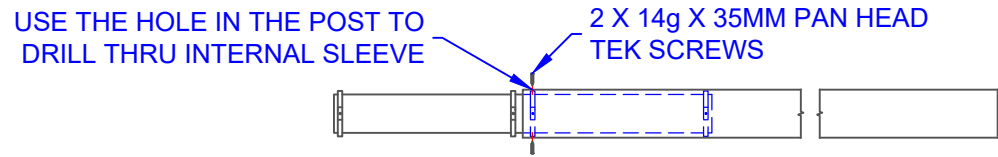


# ASSEMBLY INSTRUCTIONS : POST INSTALLATION

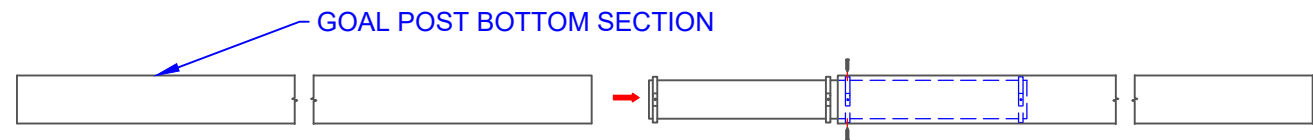
2



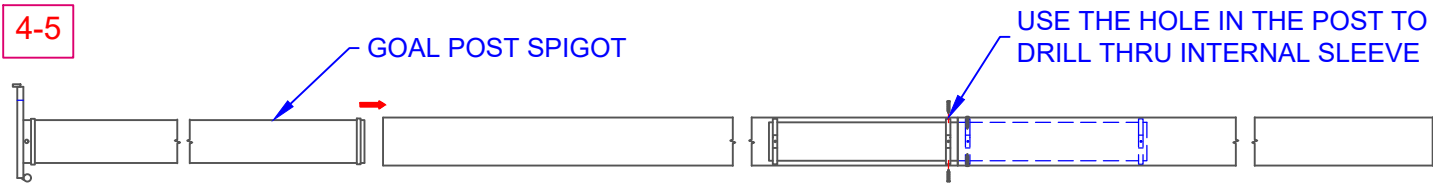
3



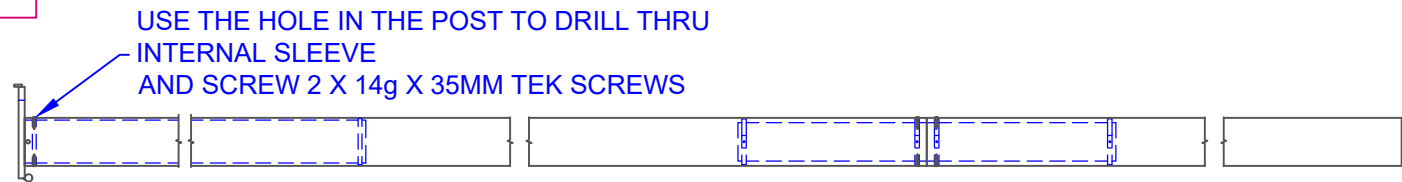
4



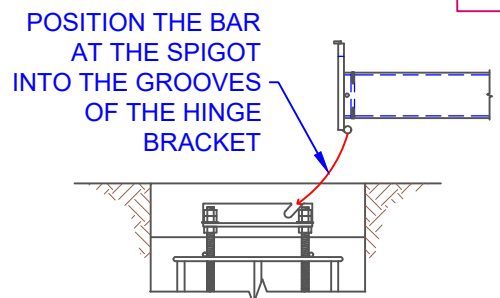
4-5



5

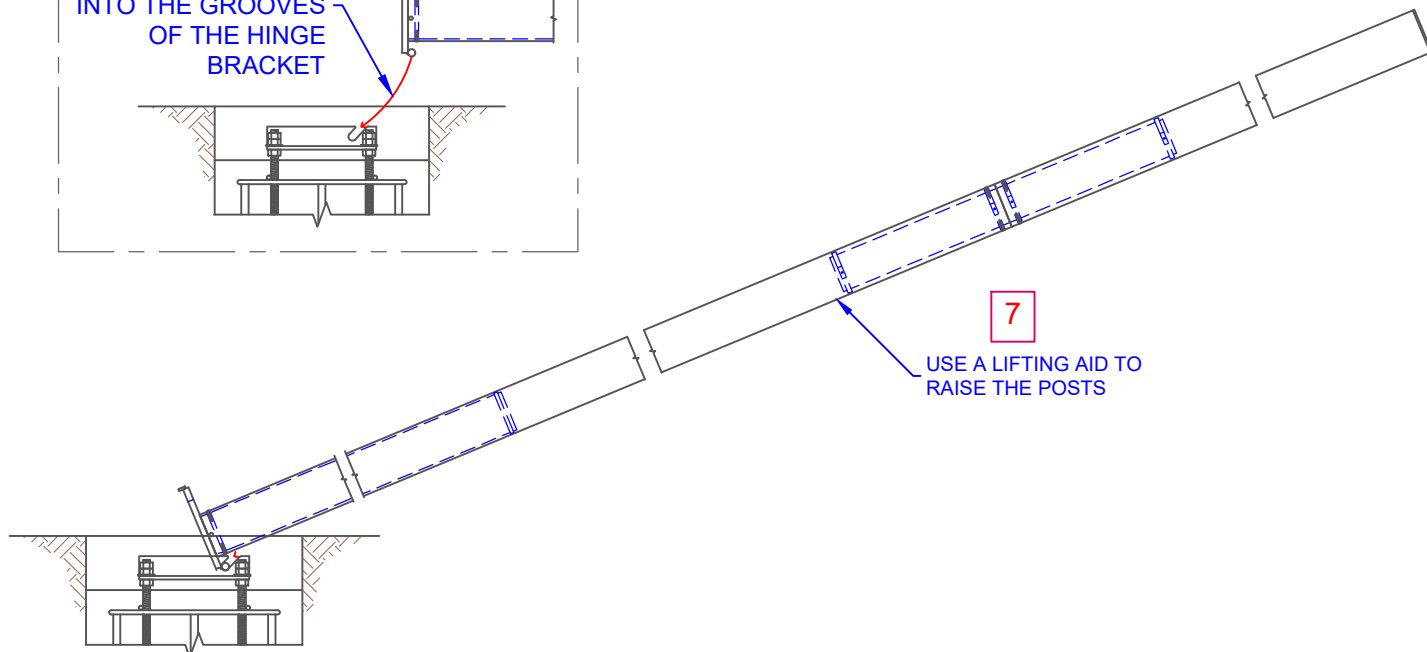


6



7

USE A LIFTING AID TO RAISE THE POSTS



## FOOTING INSTALLATION INSTRUCTIONS:

**STEP 1:** IDENTIFY THE COMPONENTS SUPPLIED USING THE PACKING LIST. CONTACT US AS SOON AS POSSIBLE IF ANY PARTS ARE MISSING.

**STEP 2:** SLIDE THE INTERNAL SLEEVE 500MM INSIDE THE TOP SECTION.

**STEP 3:** THEN, USING THE HOLES IN THE TOP SECTION DRILL 3 X HOLES INTO 5MM Ø HOLES INTO THE INTERNAL SLEEVE AND SCREW 2 X 14g X 35MM PAN HEAD TEK SCREWS.

**STEP 4:** THEN JOIN THE BOTTOM SECTION TO THE INTERNAL SLEEVE AND REPEAT STEP 3.

**STEP 5:** SLIDE IN THE POST SPIGOT INTO THE GOAL POST BOTTOM SECTION AND REPEAT STEP 3.

REPEAT STEP 2 - 3 FOR BEHIND/POINT POST ASSEMBLY

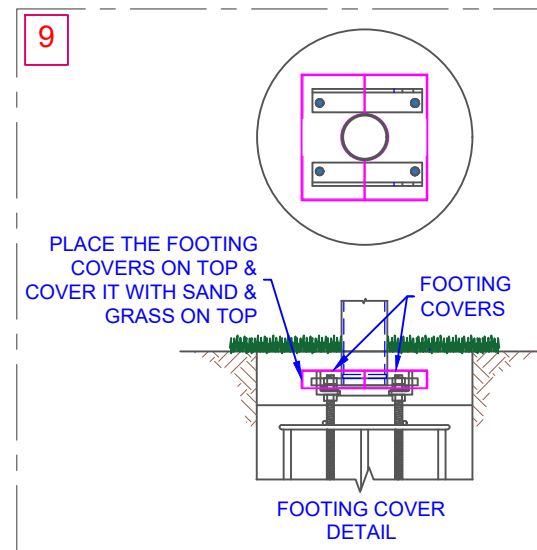
**STEP 6:** THEN POSITION THE PIN AT THE SPIGOT INTO THE HINGE BRACKET.

**STEP 7:** USING A LIFTING AID RAISE THE POST UP. YOU CAN USE CROSS BAR ATTACHED ACROSS A TRACTOR REAR TO RAISE OR LOWER THE POSTS.

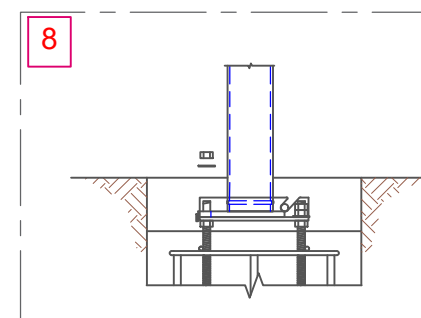
**STEP 8:** THEN FIX THE ASSEMBLY USING M20 NUT AND WASHER. THEY SHOULD BE PROPERLY TIGHTENED.

**STEP 9:** INSTALL FOOTING COVERS OVER THE BASE

9



8



TITLE:		AR128 AFL GOAL POSTS ASSEMBLY DETAILS 2 OF 3	
DRAWING NUMBER:	AR128	ISSUED ON:	19/08/2024
		Oz Ring Pty Ltd Trading as: Play Hard Sports Equipment ABN 79 066 094 559 24 Em Harley Drive Burleigh Heads Qld 4220 Phone: (07) 5593 4494 Fax: (07) 5593 4338 Website: www.playhardsports.com.au Email: email@playhardsports.com.au	