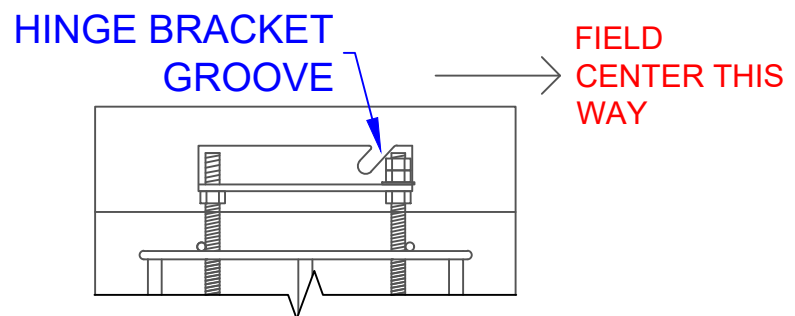
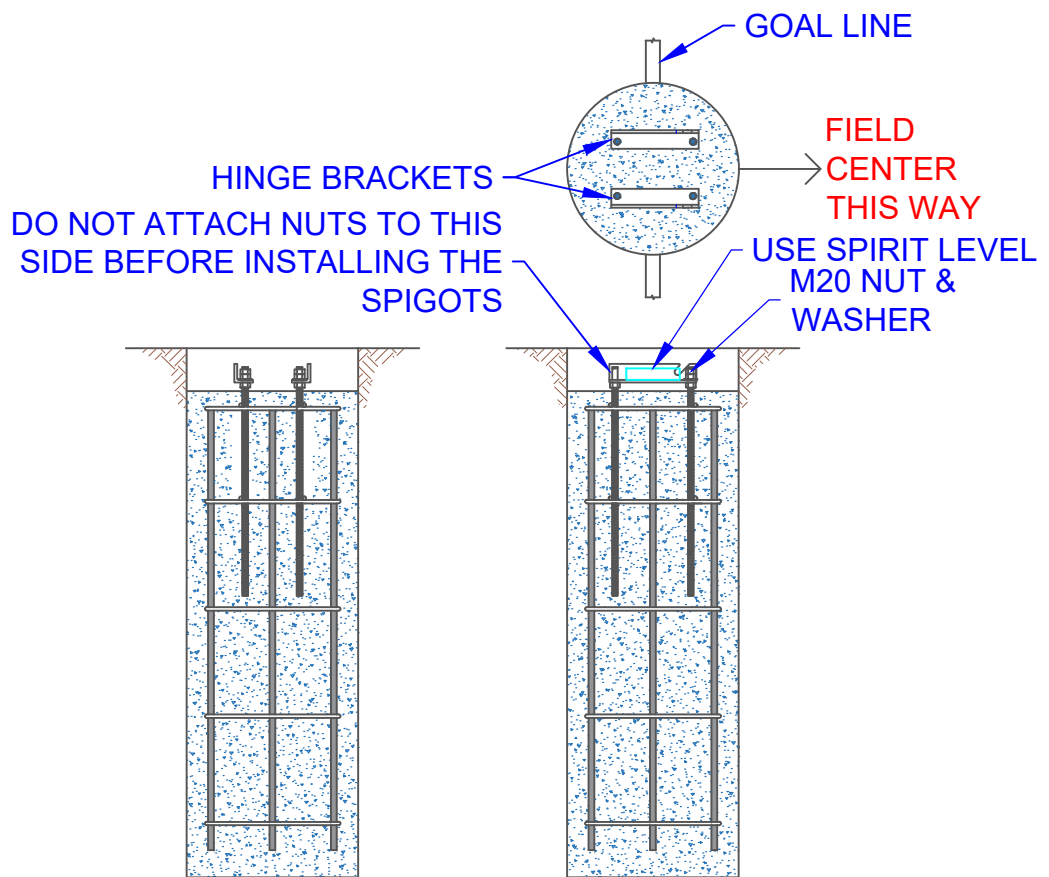
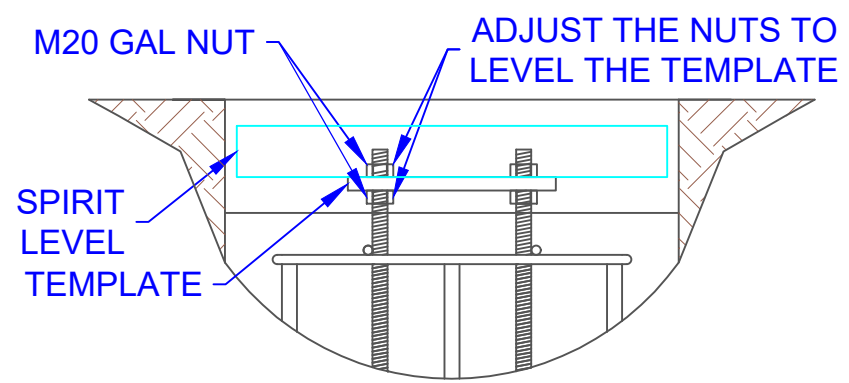
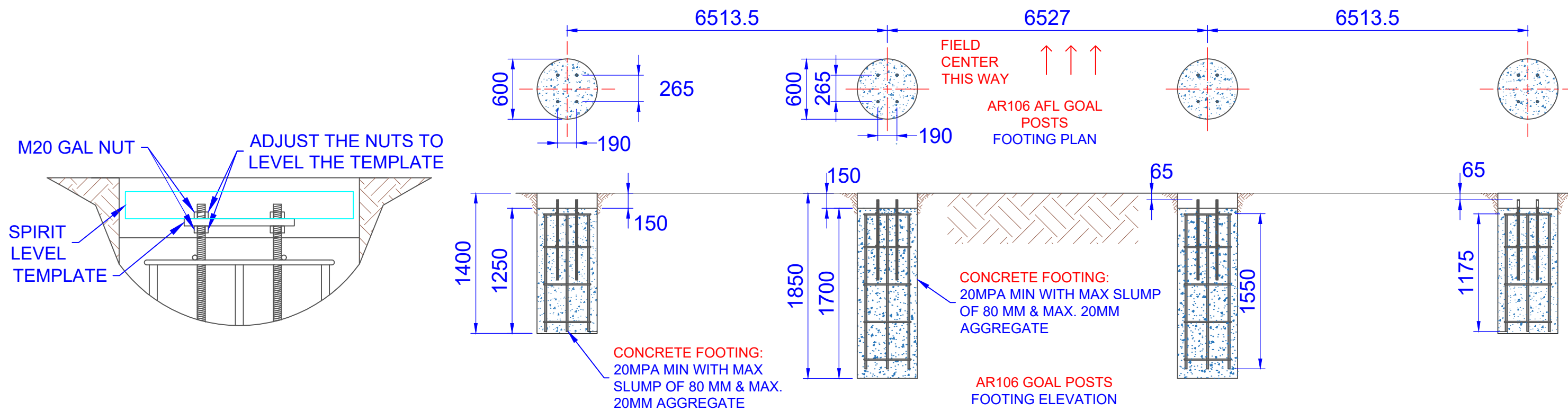


**ASSEMBLY INSTRUCTIONS : FOOTING INSTALLATION**



**FOOTING INSTALLATION INSTRUCTIONS:**

**STEP 1:** MARK THE POSITION OF THE HOLES FOR FOOTING. USE THE AFL OVAL CENTRE AS A REFERENCE LINE TO ENSURE THE POSTS ARE CENTERED.

**STEP 2:** THEN CONCRETE THE FOOTING USING SPECIFIED CONCRETE. THE FOOTING SPECIFIED IS FOR STANDARD 'S' & 'M' SOIL ONLY. PLAY HARD SPORTS MUST BE SPECIFIED OF ANY OTHER SOIL CONDITION AND WILL INCUR ADDITIONAL CHARGES FOR RE-ENGINEERING THE FOOTINGS.

THE THREADED RODS ON THE CAGE MUST BE CORRECTLY ORIENTED TOWARDS THE OVAL CENTRE.

**STEP 3:** ONCE THE CONCRETE IS SET, ATTACH THE LEFT AND RIGHT HINGE BRACKET TO THE THREADED ROD, POSITIONING THE GROOVE IN THE BRACKET AS SHOWN.

TITLE: <b>AR106 AFL GOAL POSTS ASSEMBLY DETAILS 1 OF 3</b>	
DRAWING NUMBER: <b>AR106</b>	ISSUED ON: <b>19/08/2024</b>
	
Oz Ring Pty Ltd Trading as: Play Hard Sports Equipment ABN 79 066 094 559 24 Ern Harley Drive Burleigh Heads Qld 4220 Phone: (07) 5593 4494 Fax: (07) 5593 4338 Website: www.playhardsports.com.au Email: email@playhardsports.com.au	