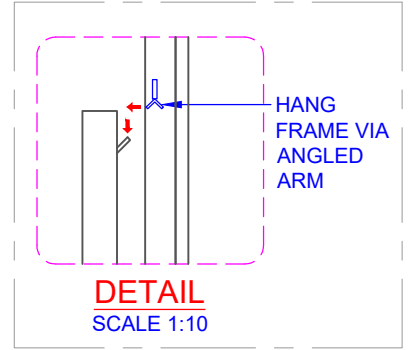
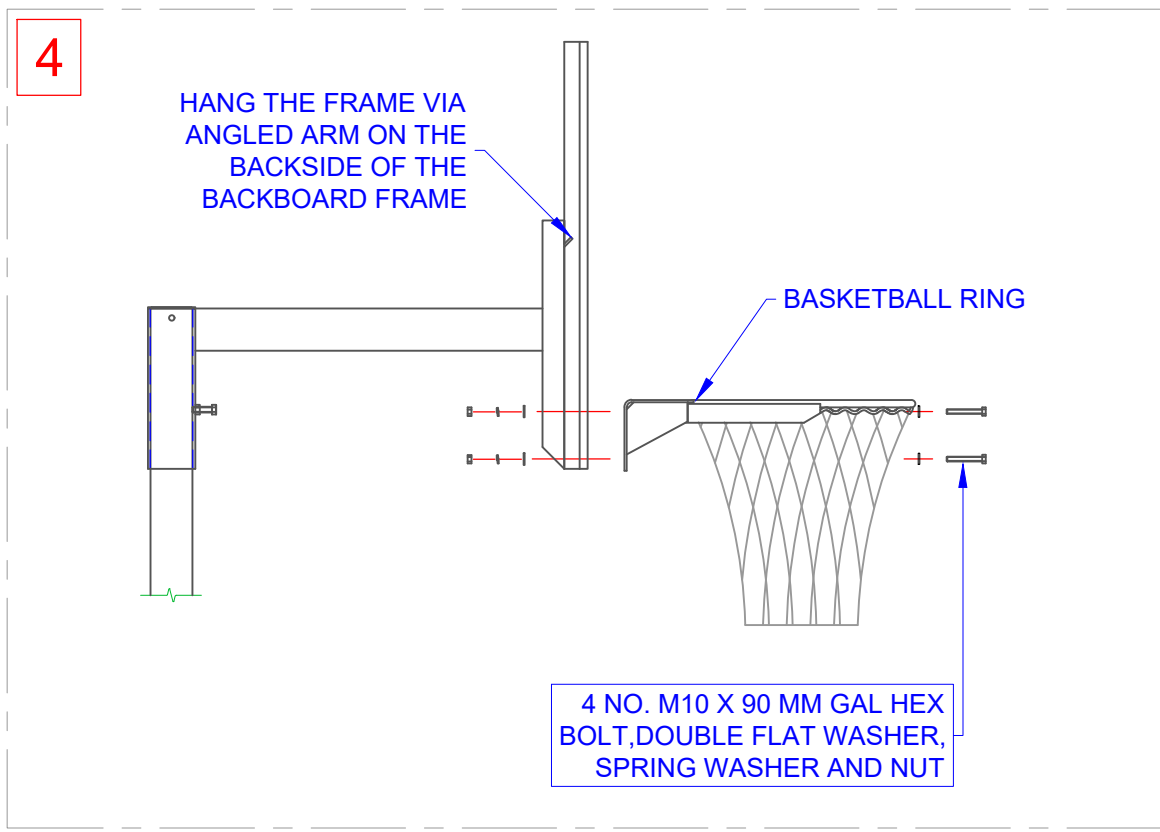
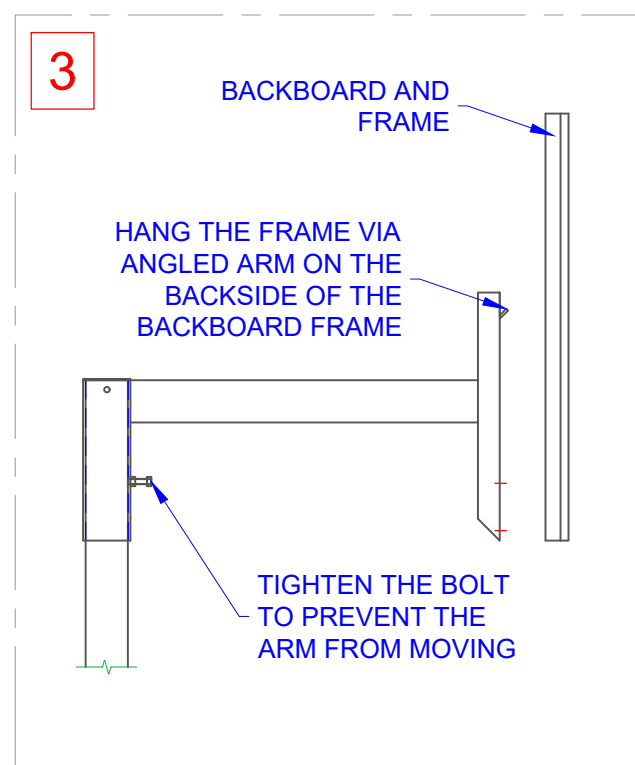
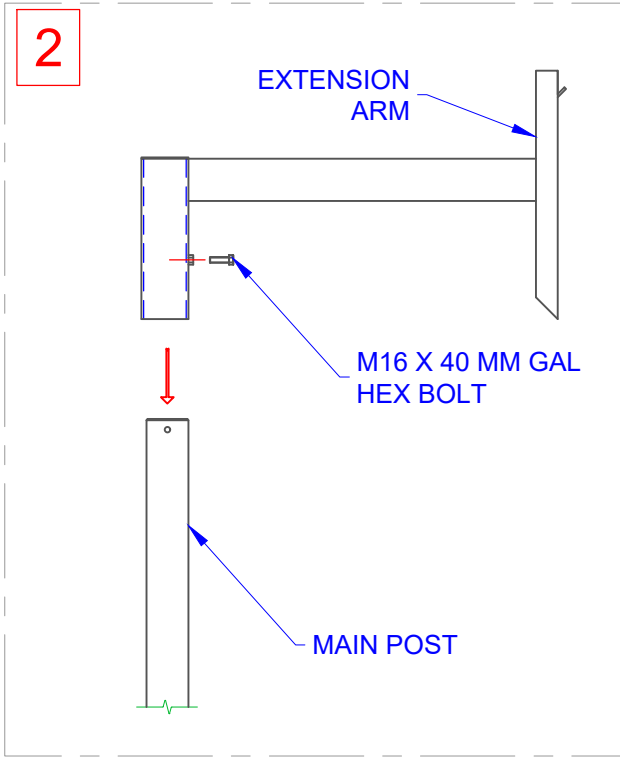


LEGEND BASKETBALL TOWER WITH SLEEVE
SCALE 1:20



COMPONENTS

| QTY | ITEM |
|-----|---|
| 1 | MAIN POST |
| 1 | EXTENSION ARM |
| 1 | BACKBOARD AND FRAME |
| 1 | RING, CORD AND NET |
| 4 | M10 X 90 MM BOLT, DOUBLE FLAT WASHER, SPRING WASHER & NUT |
| 1 | M16 X 40 MM GAL HEX HEAD BOLT |
| | |
| | |
| | |

| | |
|---|---------------------|
| TITLE: LEGEND BASKETBALL TOWER ON SLEEVE ASSEMBLY INSTRUCTIONS 1 OF 2 | |
| DRAWING NUMBER: LEGEND | DRAWN BY: UMESH |
| CHECKED BY: - | DATE: 02/05/2024 |

Oz Ring Pty Ltd
Trading as:
Play Hard Sports Equipment
ABN 79 066 094 559
24 Elm Harley Drive
Burling Heads Qld 4220
Phone: (07) 5593 4494
Fax: (07) 5593 4338
Website: www.playhardsports.com.au
Email: email@playhardsports.com.au