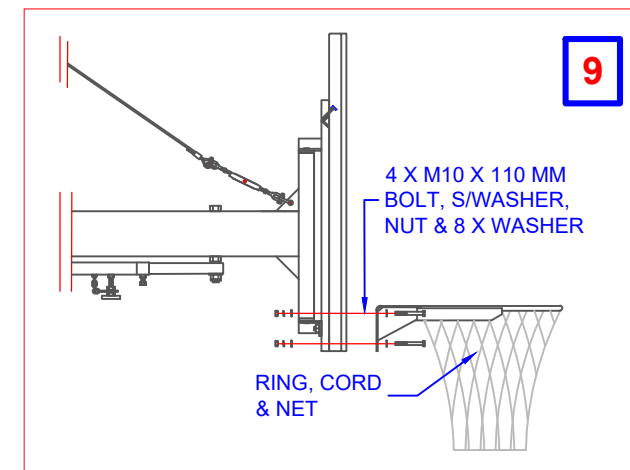
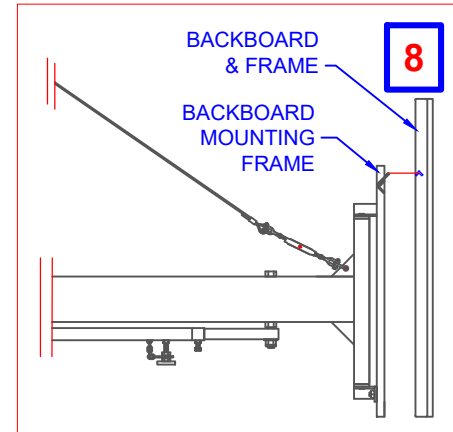
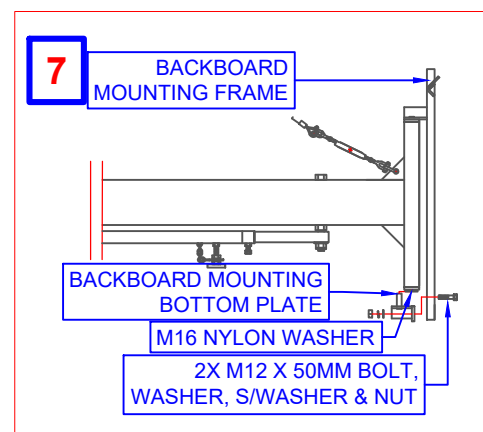
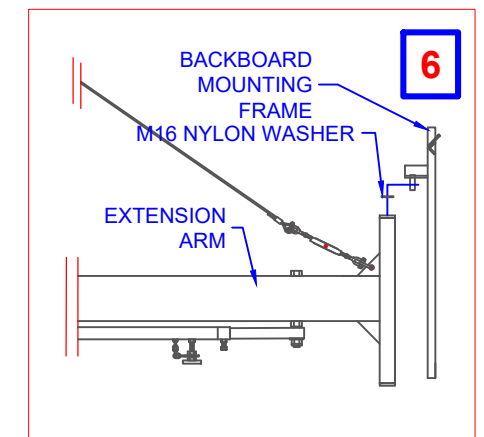
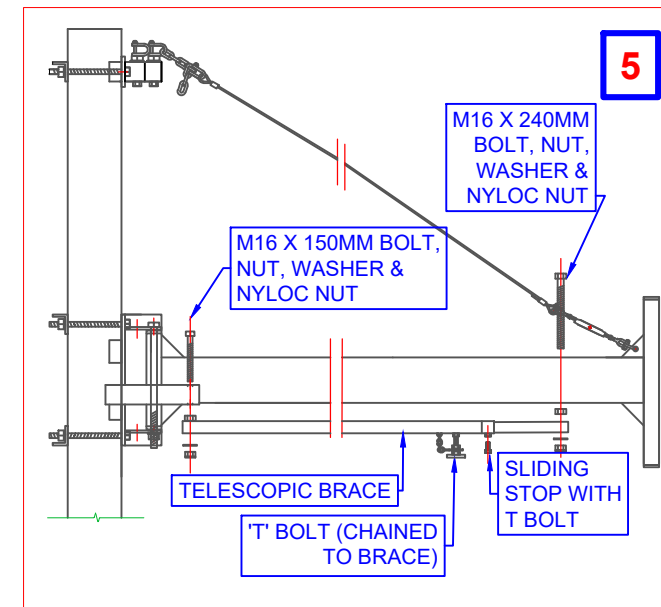
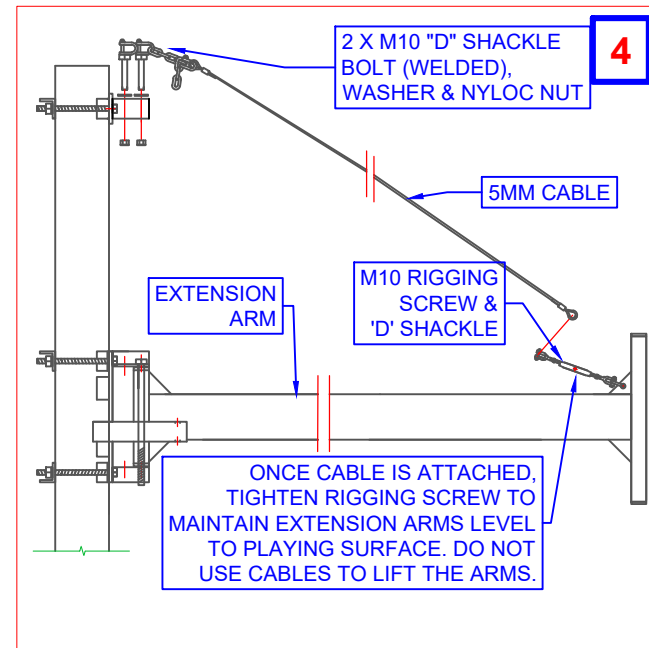
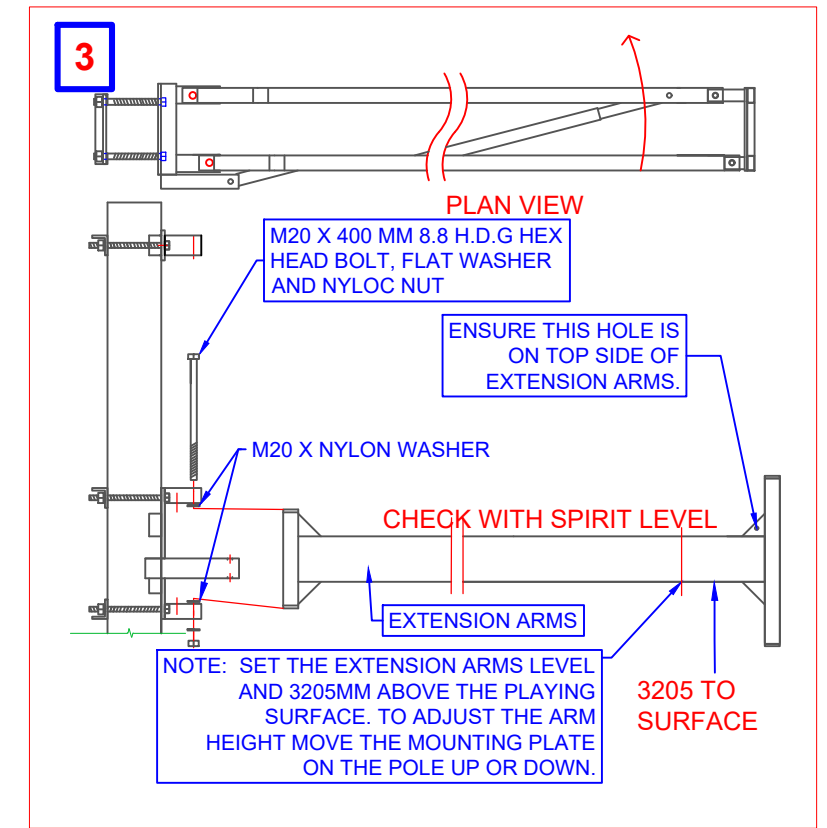
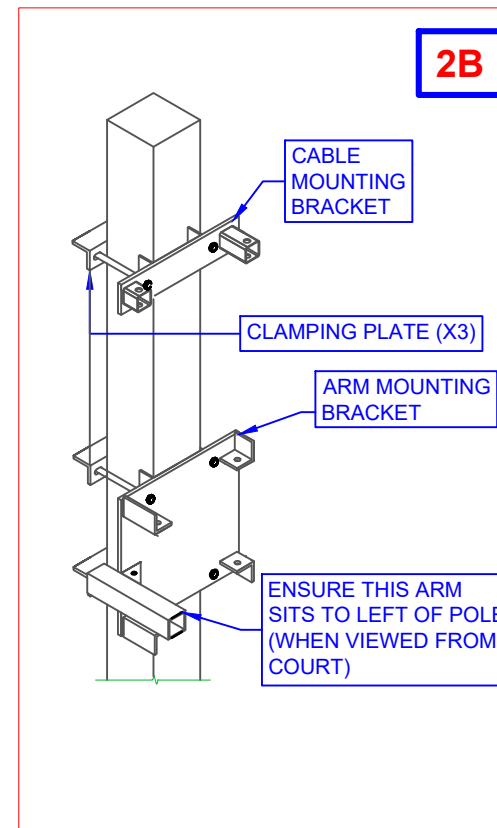
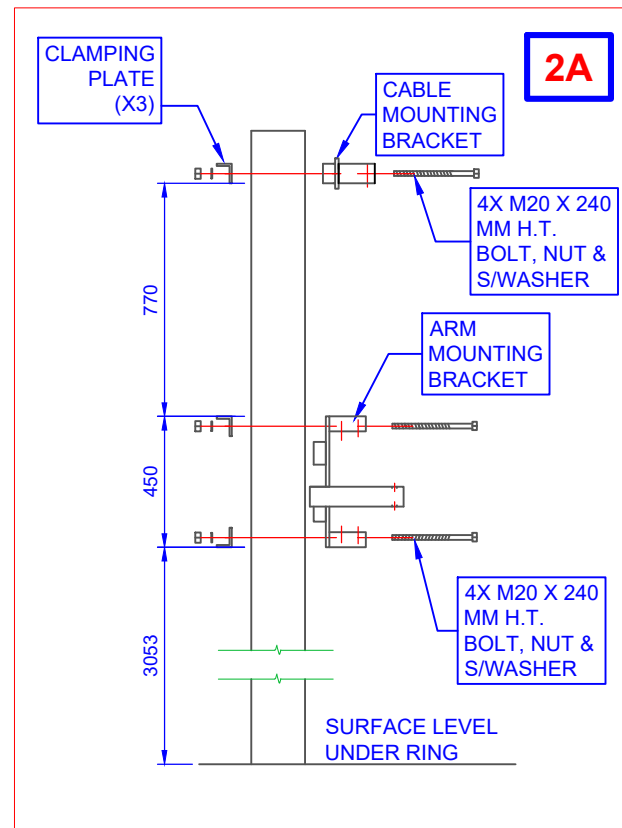
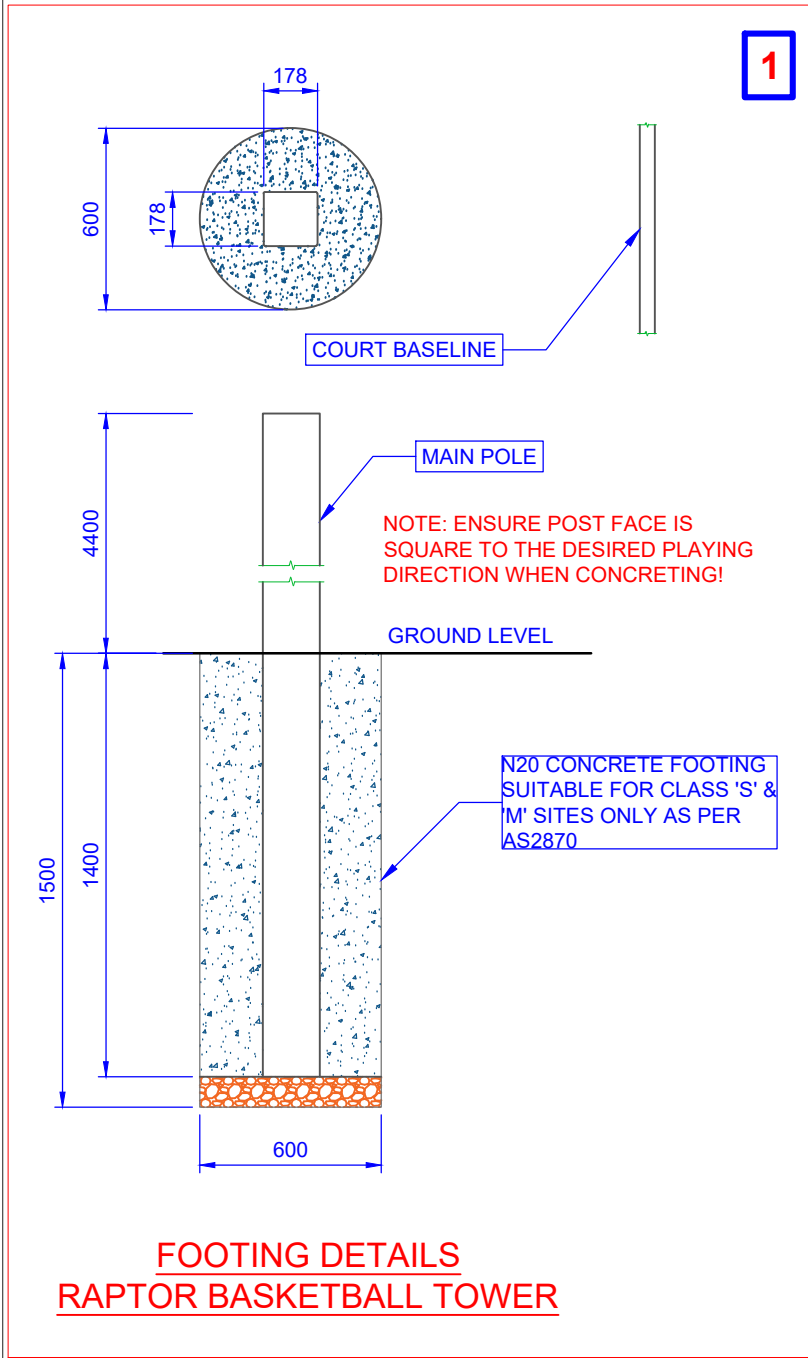


ASSEMBLY INSTRUCTIONS



TITLE: RAPTOR SIDE SWING BASKETBALL TOWER			
ASSEMBLY INSTRUCTIONS 2 OF 2			
DRAWING NUMBER: RAPTOR	CHECKED BY: -		
SHEET OF	DRAWN BY: UMESH		
UNITS: m m.	DATE: 18/04/2024		SCALE: - : -
TOLERANCE: 0.0 ± 1.0 0.00 ± 0.5 0.000 ± 0.2	0° ± 0.5° 0.0 ± 0.25°	SYSTEM:	A3